

High-Voltage NPN Silicon Transistors

... designed for medium-to-high voltage inverters, converters, regulators and switching circuits.

- High Voltage — $V_{CEX} = 400$ Vdc
- Gain Specified to 3.5 Amp
- High Frequency Response to 2.5 MHz

MAXIMUM RATINGS

Rating	Symbol	MJ413	MJ423	Unit
Collector-Emitter Voltage	V_{CEX}	400	400	Vdc
Collector-Base Voltage	V_{CB}	400	400	Vdc
Emitter-Base Voltage	V_{EB}	5.0	5.0	Vdc
Collector Current — Continuous	I_C	10	10	Adc
Base Current	I_B	2.0	2.0	Adc
Total Device Dissipation @ $T_C = 25^\circ\text{C}$ Derate above 25°C	P_D	125 1.0		Watts W/ $^\circ\text{C}$
Operating Junction Temperature Range	T_J	-65 to +150		$^\circ\text{C}$
Storage Temperature Range	T_{stg}	-65 to +200		$^\circ\text{C}$

THERMAL CHARACTERISTICS

Characteristic	Symbol	Max	Unit
Thermal Resistance, Junction to Case	θ_{JC}	1.0	$^\circ\text{C/W}$

ELECTRICAL CHARACTERISTICS ($T_C = 25^\circ\text{C}$ unless otherwise noted)

Characteristic	Symbol	Min	Max	Unit
----------------	--------	-----	-----	------

OFF CHARACTERISTICS

Collector-Emitter Sustaining Voltage* (1) ($I_C = 100$ mAdc, $I_B = 0$)	$V_{(BR)CEO(sus)}$	325	—	Vdc
Collector Cutoff Current ($V_{CE} = 400$ Vdc, $V_{EB(off)} = 1.5$ Vdc) ($V_{CE} = 400$ Vdc, $V_{EB(off)} = 1.5$ Vdc, $T_C = 125^\circ\text{C}$)	I_{CEX}	— —	0.25 0.5	mAdc
Emitter Cutoff Current ($V_{BE} = 5.0$ Vdc, $I_C = 0$)	I_{EBO}	—	5.0	mAdc

ON CHARACTERISTICS

DC Current Gain(1) ($I_C = 0.5$ Adc, $V_{CE} = 5.0$ Vdc) MJ413 ($I_C = 1.0$ Adc, $V_{CE} = 5.0$ Vdc) MJ423 ($I_C = 1.0$ Adc, $V_{CE} = 5.0$ Vdc) MJ423 ($I_C = 2.5$ Adc, $V_{CE} = 5.0$ Vdc)	h_{FE}	20 15 30 10	80 — 90 —	—
Collector-Emitter Saturation Voltage (1) ($I_C = 0.5$ Adc, $I_B = 0.05$ Adc) MJ413 ($I_C = 1.0$ Adc, $I_B = 0.10$ Adc) MJ423	$V_{CE(sat)}$	— —	0.8 0.8	Vdc
Base-Emitter Saturation Voltage ($I_C = 0.5$ Adc, $I_B = 0.05$ Adc) MJ413 ($I_C = 1.0$ Adc, $I_B = 0.1$ Adc) MJ423	$V_{BE(sat)}$	— —	1.25 1.25	Vdc

DYNAMIC CHARACTERISTICS

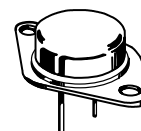
Current-Gain — Bandwidth Product ($I_C = 200$ mAdc, $V_{CE} = 10$ Vdc, $f = 1.0$ MHz)	f_T	2.5	—	MHz
---	-------	-----	---	-----

(1) $PW \leq 300 \mu\text{s}$ Duty Cycle $\leq 2.0\%$.

REV 7

MJ413
MJ423

10 AMPERE
POWER TRANSISTORS
NPN SILICON
400 VOLTS
125 WATTS



CASE 1-07
TO-204AA
(TO-3)

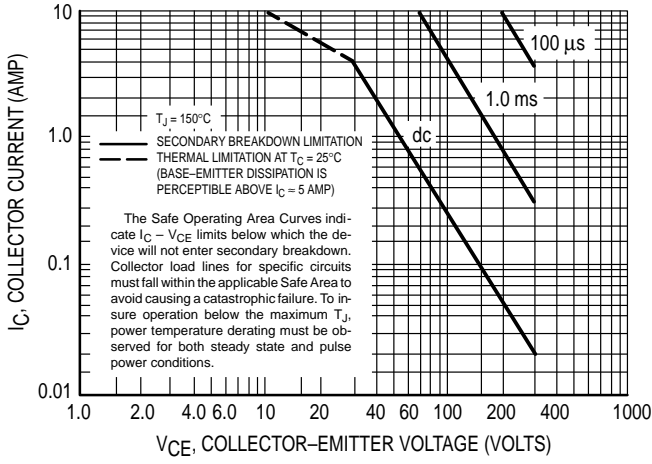


Figure 1. Active-Region Safe-Operating Area

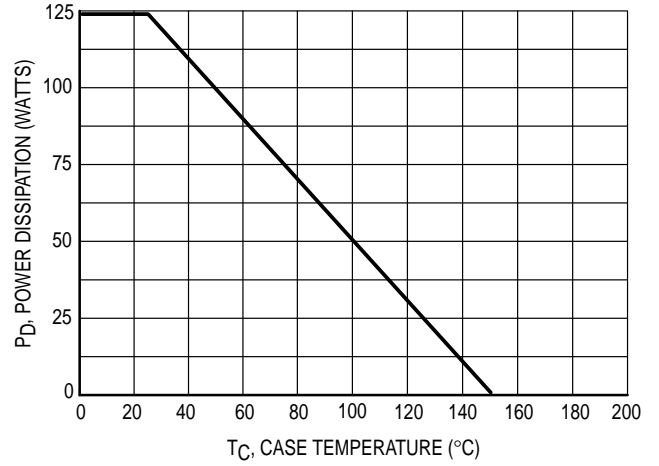


Figure 2. Power-Temperature Derating Curve

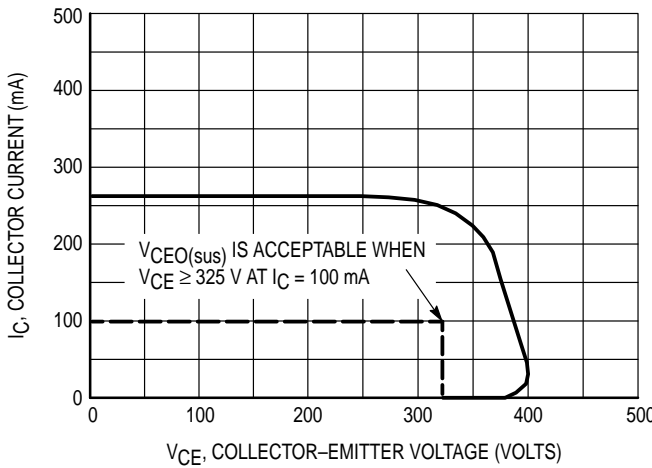


Figure 3. Sustaining Voltage Test Load Line

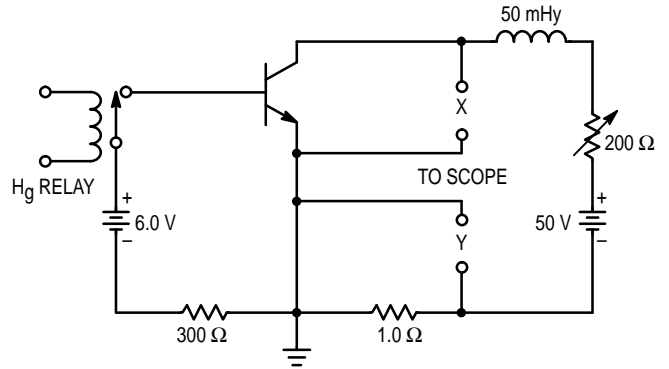


Figure 4. Sustaining Voltage Test Circuit

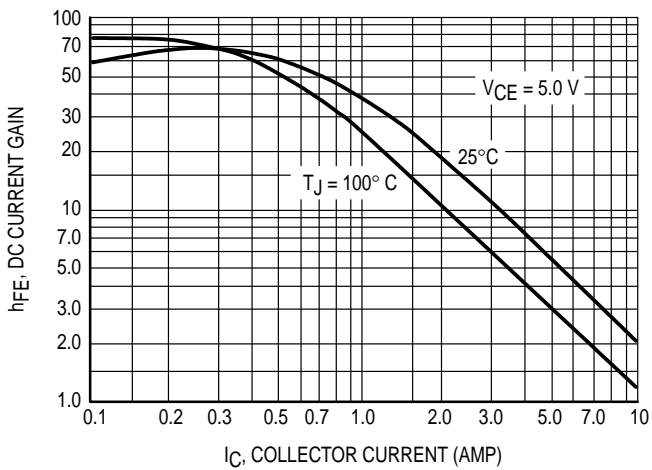


Figure 5. Current Gain

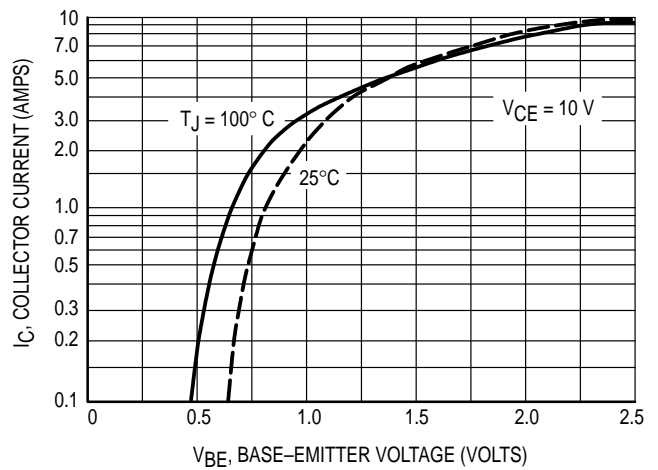
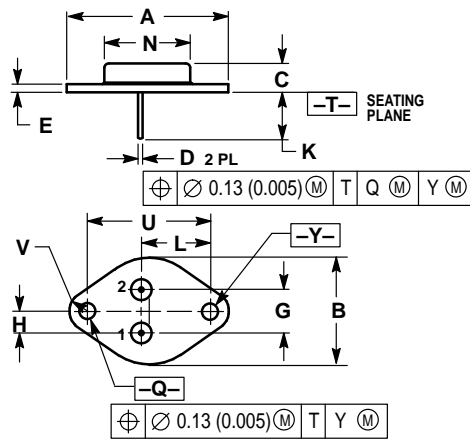


Figure 6. Transconductance

PACKAGE DIMENSIONS



- NOTES:
1. DIMENSIONING AND TOLERANCING PER ANSI Y14.5M, 1982.
 2. CONTROLLING DIMENSION: INCH.
 3. ALL RULES AND NOTES ASSOCIATED WITH REFERENCED TO-204AA OUTLINE SHALL APPLY.

DIM	INCHES		MILLIMETERS	
	MIN	MAX	MIN	MAX
A	1.550 REF		39.37 REF	
B	—	1.050	—	26.67
C	0.250	0.335	6.35	8.51
D	0.038	0.043	0.97	1.09
E	0.055	0.070	1.40	1.77
G	0.430 BSC		10.92 BSC	
H	0.215 BSC		5.46 BSC	
K	0.440	0.480	11.18	12.19
L	0.665 BSC		16.89 BSC	
N	—	0.830	—	21.08
Q	0.151	0.165	3.84	4.19
U	1.187 BSC		30.15 BSC	
V	0.131	0.188	3.33	4.77

STYLE 1:
 PIN 1: BASE
 2: EMITTER
 CASE: COLLECTOR

CASE 1-07
 TO-204AA (TO-3)
 ISSUE Z

Motorola reserves the right to make changes without further notice to any products herein. Motorola makes no warranty, representation or guarantee regarding the suitability of its products for any particular purpose, nor does Motorola assume any liability arising out of the application or use of any product or circuit, and specifically disclaims any and all liability, including without limitation consequential or incidental damages. "Typical" parameters can and do vary in different applications. All operating parameters, including "Typicals" must be validated for each customer application by customer's technical experts. Motorola does not convey any license under its patent rights nor the rights of others. Motorola products are not designed, intended, or authorized for use as components in systems intended for surgical implant into the body, or other applications intended to support or sustain life, or for any other application in which the failure of the Motorola product could create a situation where personal injury or death may occur. Should Buyer purchase or use Motorola products for any such unintended or unauthorized application, Buyer shall indemnify and hold Motorola and its officers, employees, subsidiaries, affiliates, and distributors harmless against all claims, costs, damages, and expenses, and reasonable attorney fees arising out of, directly or indirectly, any claim of personal injury or death associated with such unintended or unauthorized use, even if such claim alleges that Motorola was negligent regarding the design or manufacture of the part. Motorola and  are registered trademarks of Motorola, Inc. Motorola, Inc. is an Equal Opportunity/Affirmative Action Employer.

How to reach us:

USA / EUROPE: Motorola Literature Distribution;
P.O. Box 20912; Phoenix, Arizona 85036. 1-800-441-2447

JAPAN: Nippon Motorola Ltd.; Tatsumi-SPD-JLDC, Toshikatsu Otsuki,
6F Seibu-Butsuryu-Center, 3-14-2 Tatsumi Koto-Ku, Tokyo 135, Japan. 03-3521-8315

MFAX: RMFAX0@email.sps.mot.com – TOUCHTONE (602) 244-6609
INTERNET: <http://Design-NET.com>

HONG KONG: Motorola Semiconductors H.K. Ltd.; 8B Tai Ping Industrial Park,
51 Ting Kok Road, Tai Po, N.T., Hong Kong. 852-26629298

