

RP56D, RP336D, and RP144D Low Voltage V.90/K56flex™/V.34/V.32bis Modem Data Pumps for Desktop Applications

Introduction

The CONEXANT™ RP56D, RP336D, and RP144D Modem Data Pump (MDP) families support data/fax modem, voice coding/decoding, optional full-duplex speakerphone, and optional AudioSpan (Table 1). Low voltage and small size support desktop applications. Downloadable architecture allows upgrading of MDP code from the host/DTE.

In V.90/K56flex mode (RP56), the MDP can receive data at speeds up to 56 kbps from a digitally connected V.90- or K56flex-compatible central site modem. These MDPs take advantage of the PSTN which is primarily digital except for the client modem to central office local loop and are ideal for applications such as remote access to an Internet service provider (ISP), on-line service, or corporate site. The MDP can send upstream data at speeds up to V.34 rates.

In V.34 data mode (RP56 and RC336), the MDP can connect at the highest data rate the channel can support from 33.6 kbps to 2400 bps with auto-fallback to V.32 bis.

In V.32 bis mode, the MDP can connect at the highest data rate the channel can support from 14.4 kbps to 4800 bps with optional auto-fallback to lower rate modulations.

Internal HDLC support eliminates the need for an external serial input/output (SIO) device in the DTE for products incorporating error correction and T.30 protocols.

Voice mode includes an Adaptive Differential Pulse Code Modulation (ADPCM) voice coder and decoder (codec). The codec compresses and decompresses voice signals for efficient digital storage of voice messages. The codec operates at 28.8k, 21.6k, or 14.4k bps (4-bit, 3-bit, or 2-bit quantization, respectively) with a 7.2 kHz or 8.0 kHz sample rate.

A voice pass-through mode allows the host to transmit and receive uncompressed voice samples in 16-bit linear form at 7.2 kHz, 8.0 kHz, or 11.025 kHz sample rate, or in 8-bit A-Law/ μ -Law PCM form at 8.0 kHz sample rate.

SP models support position-independent full-duplex speakerphone (FDSP) operation using a dual internal integrated analog circuit to interface with the telephone line and the audio input/out (i.e., a headset, handset, or a microphone with external speaker).

SP models also support AudioSpan (analog simultaneous audio/voice and data) operation at a data rate of 4.8 kbps.

The MDP operates over the public switched telephone network (PSTN) through the appropriate line termination.

Features

- Downloadable MDP code from the host/DTE
- 2-wire full-duplex
 - V.90 and K56flex (RP56 models)
 - V.34 (33.6 kbps) (RP56 and RP336 models)
 - V.32 bis, V.32, V.22 bis, V.22, V.23, and V.21
 - Bell 212 and 103
- 2-wire half-duplex
 - V.34 fax, V.17, V.33, V.29, V.27 ter, and V.21 ch 2
 - Bell 208
 - Short train option in V.17 and V.27 ter
- Serial synchronous and asynchronous data
- Parallel synchronous and asynchronous data
- Parallel synchronous SDLC/HDLC support
- In-band secondary channel (V.34 and V.32 bis)
- Automatic mode selection (AMS)
- Automatic rate adaption (ARA)
- Digital near-end and far-end echo cancellation
- Bulk delay for satellite transmission
- ADPCM voice mode (7.2 kHz or 8.0 kHz)
- Voice pass-through mode (7.2 kHz, 8.0 kHz, or 11.025 kHz)
- Full-duplex speakerphone (SP models)
 - Acoustic and line echo cancellation
 - Programmable microphone AGC
 - Microphone volume selection and muting
 - Speaker volume control and muting; room monitor
- AudioSpan (SP models)
 - ITU-T V.61 modulation (4.8 kbps data plus audio)
 - Handset, headset, or half-duplex speakerphone
- TTL and CMOS compatible DTE interface
 - ITU-T V.24 (EIA/TIA-232-E) (data/control)
 - Microprocessor bus (data/configuration/control)
- Dynamic range: -9 dBm to -43 dBm
- Adjustable speaker output to monitor received signal
- DMA support interrupt lines
- Transmit and receive (16+128)-byte FIFO data buffers
- NRZI encoding/decoding
- 511 pattern generation/detection
- V.8 and V.8 bis signaling
- V.13 signaling
- Diagnostic capability
 - V.54 inter-DCE signaling
 - V.54 local analog and remote digital loopback
- +3.3V operation with +5V tolerant inputs
 - +5V analog operation
- Power consumption:
 - Normal Mode = 280 mW; Sleep Mode = 53 mW
- Low profile, small footprint package
 - 100-pin PQFP

Table 1. Modem Models and Functions

Modem/Part Number ¹		Package and Package Options			Supported Functions ²				
Model Number	Part No.	Package	Clock/Crystal Input	Analog Interface Voltage	V.90/K56flex Data	V.34 Data	V.32 bis Data, V.34 Fax, Remote Voice	FDSP, AudioSpan	Voice Serial Interface
RP56D/SP	R6764-61	100-Pin PQFP	Clock	+5V	Y	Y	Y	Y	-
RP56D	R6764-63	100-Pin PQFP	Clock	+5V	Y	Y	Y	-	-
RP336D/SP	R6764-65	100-Pin PQFP	Clock	+5V	-	Y	Y	Y	-
RP336D	R6764-67	100-Pin PQFP	Clock	+5V	-	Y	Y	-	-
RP144D/SP	R6764-69	100-Pin PQFP	Clock	+5V	-	-	Y	Y	-
RP144D	R6764-68	100-Pin PQFP	Clock	+5V	-	-	Y	-	-

Notes:

1. Model/part number options:

- D Downloadable
- SP Speakerphone.

2. Supported functions (Y = Supported; - = Not supported):

- FDSP Full-duplex speakerphone
- Remote Voice Remote voice record and playback
- AudioSpan Analog simultaneous voice and data.

Information provided by CONEXANT SYSTEMS, INC. (CONEXANT) is believed to be accurate and reliable. However, no responsibility is assumed by CONEXANT for its use, nor any infringement of patents or other rights of third parties which may result from its use. No license is granted by implication or otherwise under any patent rights of CONEXANT other than for circuitry embodied in CONEXANT products. CONEXANT reserves the right to change circuitry at any time without notice. This document is subject to change without notice.

K56flex is a trademark of CONEXANT SYSTEMS, INC. and Lucent Technologies.
 CONEXANT and "What's Next in Communications Technologies" are trademarks of CONEXANT SYSTEMS, INC.

©1998, CONEXANT SYSTEMS, INC.
 Printed in U.S.A.
 All Rights Reserved



Technical Description

The MDP functional interface is illustrated in Figure 1.

Configurations and Rates

The selectable MDP configurations, signaling rates, and data rates are listed in Table 2.

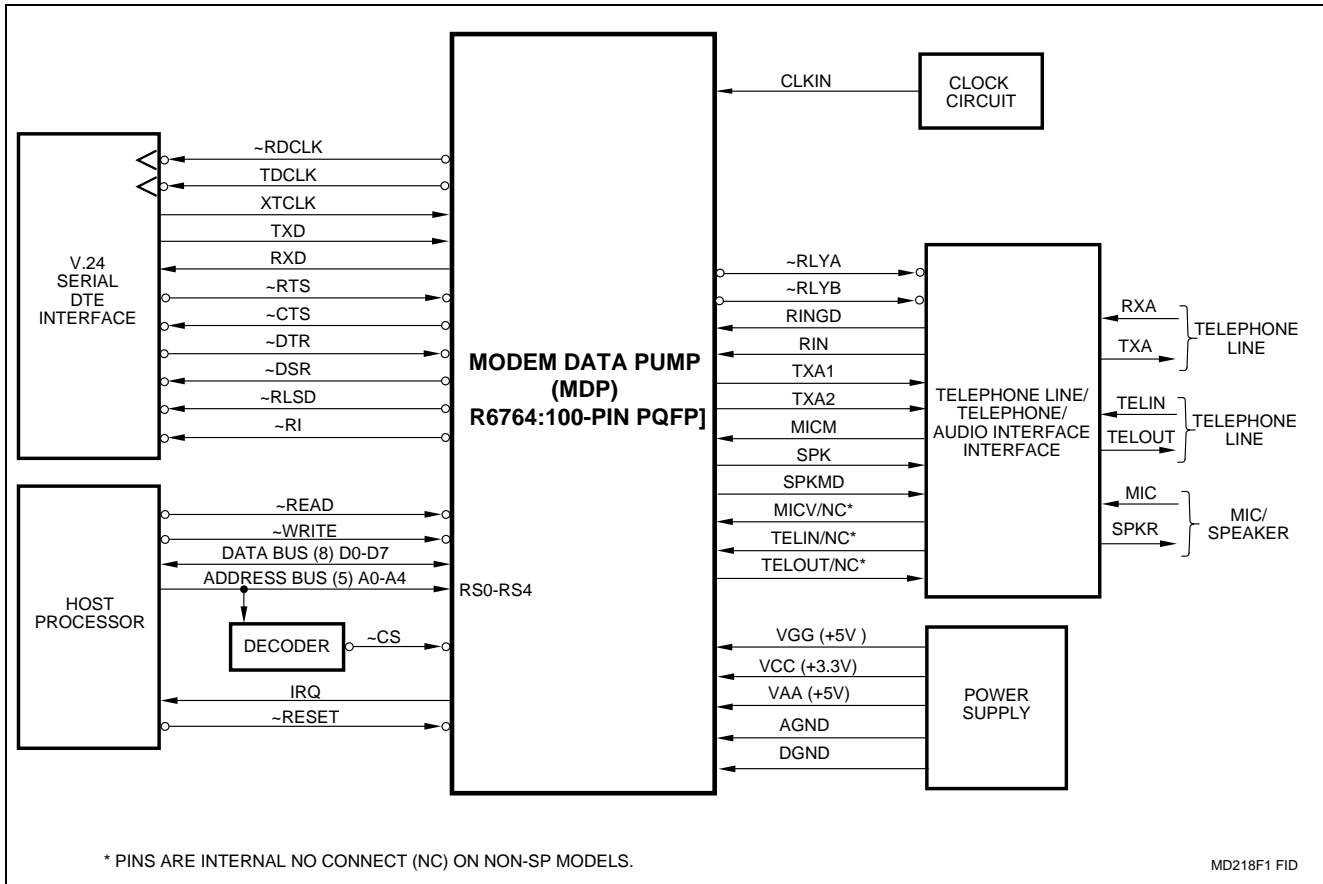


Figure 1. MDP Functional Interface

Table 2. Configurations, Signaling Rates, and Data Rates

Configuration	Modulation	Carrier Frequency (Hz) ±0.01%	Data Rate (bps) ±0.01%	Symbol Rate (Symbols/Sec.)	Bits/Symbol - Data	Bits/Symbol - TCM	Constellation Points
V.90/K56flex PCM*	PCM	–	56000R/V.34ratesT ⁴	8000	Dynamic	–	–
V.34 33600 TCM**	TCM	Note 2	33600	Note 2	Note 2	Note 2	Note 2
V.34 31200 TCM**	TCM	Note 2	31200	Note 2	Note 2	Note 2	Note 2
V.34 28800 TCM**	TCM	Note 2	28800	Note 2	Note 2	Note 2	Note 2
V.34 26400 TCM**	TCM	Note 2	26400	Note 2	Note 2	Note 2	Note 2
V.34 24000 TCM**	TCM	Note 2	24000	Note 2	Note 2	Note 2	Note 2
V.34 21600 TCM**	TCM	Note 2	21600	Note 2	Note 2	Note 2	Note 2
V.34 19200 TCM**	TCM	Note 2	19200	Note 2	Note 2	Note 2	Note 2
V.34 16800 TCM**	TCM	Note 2	16800	Note 2	Note 2	Note 2	Note 2
V.34 14400 TCM**	TCM	Note 2	14400	Note 2	Note 2	Note 2	Note 2
V.34 12000 TCM**	TCM	Note 2	12000	Note 2	Note 2	Note 2	Note 2
V.34 9600 TCM**	TCM	Note 2	9600	Note 2	Note 2	Note 2	Note 2
V.34 7200 TCM**	TCM	Note 2	7200	Note 2	Note 2	Note 2	Note 2
V.34 4800 TCM**	TCM	Note 2	4800	Note 2	Note 2	Note 2	Note 2
V.34 2400 TCM**	TCM	Note 2	2400	Note 2	Note 2	Note 2	Note 2
V.32 bis 14400 TCM	TCM	1800	14400	2400	6	1	128
V.32 bis 12000 TCM	TCM	1800	12000	2400	5	1	64
V.32 bis 9600 TCM	TCM	1800	9600	2400	4	1	32
V.32 bis 7200 TCM	TCM	1800	7200	2400	3	1	16
V.32 bis 4800	QAM	1800	4800	2400	2	0	4
V.32 9600 TCM	TCM	1800	9600	2400	4	1	32
V.32 9600	QAM	1800	9600	2400	4	0	16
V.32 4800	QAM	1800	4800	2400	2	0	4
V.22 bis 2400	QAM	1200/2400	2400	600	4	0	16
V.22 bis 1200	DPSK	1200/2400	1200	600	2	0	4
V.22 1200	DPSK	1200/2400	1200	600	2	0	4
V.22 600	DPSK	1200/2400	600	600	1	0	4
V.23 1200/75	FSK	1700/420	1200/75	1200	1	0	–
V.21	FSK	1080/1750	0–300	300	1	0	–
Bell 208 4800	DPSK	1800	4800	1600	3	0	8
Bell 212A	DPSK	1200/2400	1200	600	2	0	4
Bell 103	FSK	1170/2125	0–300	300	1	0	–
V.23 1200/75	FSK	1700/420	1200/75	1200	1	0	–
V.21	FSK	1080/1750	0–300	300	1	0	–
V.17 14400 TCM/V.33 ³	TCM	1800	14400	2400	6	1	128
V.17 12000 TCM/V.33 ³	TCM	1800	12000	2400	5	1	64
V.17 9600 TCM ³	TCM	1800	9600	2400	4	1	32
V.17 7200 TCM ³	TCM	1800	7200	2400	3	1	16
V.29 9600 ³	QAM	1700	9600	2400	4	0	16
V.29 7200 ³	QAM	1700	7200	2400	3	0	8
V.29 4800 ³	QAM	1700	4800	2400	2	0	4
V.27 4800 ³	DPSK	1800	4800	1600	3	0	8
V.27 2400 ³	DPSK	1800	2400	1200	2	0	4
V.21 Channel 2 ³	FSK	1750	300	300	1	0	–
Tone Transmit	–	–	–	–	–	–	–

Notes:

- 1. Modulation legend: TCM: Trellis-Coded Modulation QAM: Quadrature Amplitude Modulation
FSK: Frequency Shift Keying DPSK: Differential Phase Shift Keying

2. Adaptive; established during handshake:

Symbol Rate (Baud)	Carrier Frequency (Hz)	
	V.34 Low Carrier	V.34 High Carrier
2400	1600	1800
2800	1680	1867
3000	1800	2000
3200	1829	1920
3429	1959	1959

3. Models with fax support only.

4. Maximum data rate.

* RP56 models only.

** RP56 and RP336 models only.

Automatic Mode Selection

When automatic mode selection (AMS) is enabled, the MDP configures itself to the highest compatible data rate supported by the remote modem (AUTO bit). Automode operation is supported in V.90, K56flex, V.34, V.32 bis, V.32 V.22 bis, V.22, V.21, V.23, Bell 212A, and Bell 103 modes.

Automatic Rate Adaption (ARA)

In V.90, K56flex, V.34, and V.32 bis modes, automatic rate adaption (ARA) can be enabled to select the highest data rate possible based on the measured eye quality monitor (EQM) (EARC bit). This selection occurs during handshake/retrain and rate renegotiation.

Tone Generation

The MDP can generate single or dual voice-band tones from 0 Hz to 3600 Hz with a resolution of 0.15 Hz and an accuracy of ± 0.01%. Tones over 3000 Hz are attenuated. DTMF tone generation allows the MDP to operate as a programmable DTMF dialer.

Data Encoding

The data encoding conforms to ITU-T recommendations V.90, V.34, V.32 bis, V.32, V.17, V.33, V.29, V.27 ter, V.22 bis, V.22, V.23, or V.21, and is compatible with Bell 208, 212A, or 103, depending on the model and selected configuration.

RTS - CTS Response Time

The response times of CTS relative to a corresponding transition of RTS are listed in Table 3.

Transmit Level

The transmitter output level is selectable from 0 dBm to -15 dBm (VAA = +5V) in 1 dB steps and is accurate to ±0.5 dB when used with an external hybrid. The output level can also be fine tuned by changing a gain constant in MDP DSP RAM. The maximum V.34/V.32 bis/V.32 transmit level for acceptable receive performance should not exceed -9 dBm.

Note: In V.34 mode, the transmit level may be automatically changed during the handshake. This automatic adjustment of the transmit level may be disabled via a parameter in DSP RAM.

Transmitter Timing

Transmitter timing is selectable between internal (±0.01%), external, or slave.

Scrambler/Descrambler

A self-synchronizing scrambler/descrambler is used in accordance with the selected configuration.

Answer Tone

When the NV25 bit is a zero, the MDP generates a 2100 Hz answer tone at the beginning of the answer handshake for 5.0 seconds (V.8) or 3.6 seconds (V.32 bis, V.32, V.22 bis, V.22, V.23, and V.21). The answer tone has 180° phase reversals every 0.45 second to disable network echo cancellers (V.8, V.32 bis, V.32).

Table 3. RTS-CTS Response Times

Configuration	RTS-CTS Response ¹		Turn-Off Sequence ³
	Constant Carrier	Controlled Carrier	
V.90, K56flex, V.34, V.32 bis, V.32	± 2 ms	N/A	N/A
V.33/V.17 Long	N/A	1393 ms ²	15 ms ⁴
V.33/V.17 Short	N/A	142 ms ²	15 ms ⁴
V.29	N/A	253 ms ²	12 ms
V.27 4800 Long	N/A	708 ms ²	7 ms ⁴
V.27 4800 Short	N/A	50 ms ²	7 ms ⁴
V.27 2400 Long	N/A	943 ms ²	10 ms ⁴
V.27 2400 Short	N/A	67 ms ²	10 ms ⁴
V.22 bis, V.22, Bell 212A	± 2 ms	270 ms	N/A
V.21	500 ms	500 ms	N/A
V.23, Bell 103	210 ms	210 ms	N/A

Notes:

1. Times listed are CTS turn-on. The CTS OFF-to-ON response time is host programmable in DSP RAM. (Full-duplex modes only.)
2. Add echo protector tone duration plus 20 ms when echo protector tone is used during turn-on.
3. Turn-off sequence consists of transmission of remaining data and scrambled ones for controlled carrier operation. CTS turn-off is less than 2 ms for all configurations.
4. Plus 20 ms of no transmitted energy.
5. N/A = not applicable.

Receive Level

The MDP satisfies performance requirements for received line signal levels from -9 dBm to -43 dBm measured at the Receiver Analog (RXA) (TIP and RING) input (-15 dBm at RIN).

Note: A 6 dB pad is required between TIP and RING and the RIN input.

Receiver Timing

The timing recovery circuit can track a frequency error in the associated transmit timing source of ±0.035% (V.22 bis) or ±0.01% (other configurations).

Carrier Recovery

The carrier recovery circuit can track a ±7 Hz frequency offset in the received carrier.

Clamping

Received Data (RXD) is clamped to a constant mark whenever the Received Line Signal Detector (~RLSD) is off. ~RLSD can be clamped off (RLSDE bit).

Echo Canceller

A data echo canceller with near-end and far-end echo cancellation is included for 2-wire full-duplex V.34/V.32 bis/V.32 operation. The combined echo span of near and far cancellers can be up to 40 ms. The proportion allotted to each end is automatically determined by the MDP. The delay between near-end and far-end echoes can be up to 1.2 seconds.

V.90 and K56flex echo cancellation is also provided.

ADPCM Voice Mode

The Adaptive Differential Pulse Code Modulation (ADPCM) voice coder and decoder (codec) compresses and decompresses voice signals for efficient digital storage of voice messages. The codec operates at 28.8k, 21.6k, or 14.4k bps (4-bit, 3-bit, or 2-bit quantization, respectively) with a 7.2 kHz or 8.0 kHz sample rate.

Transmit Voice. 16-bit compressed transmit voice can be sent to the MDP ADPCM codec for decompression then to the digital-to-analog converter (DAC) by the host.

Receive Voice. 16-bit received voice samples from the MDP analog-to-digital converter (ADC) can be sent to the ADPCM codec for compression, and then be read by the host.

Voice Pass-Through Mode

Voice pass-through mode allows the host to transmit and receive uncompressed voice samples in 16-bit linear form at 7.2 kHz, 8.0 kHz, or 11.025 kHz sample rate, or in 8-bit A-Law/ μ -Law PCM form at 8.0 kHz sample rate.

Transmit Voice. Transmit voice samples can be sent to the MDP DAC from the host.

Receive Voice. Received voice samples from the MDP ADC can be read by the host.

Speakerphone Voice/Audio Paths (SP Models)

The MDP incorporates a dual integrated analog interface. The voice/audio transmit and receive signals can be routed through several paths. The voice/audio paths are available in the speakerphone mode configuration and are selected through DSP RAM.

The voice/audio input can be taken from one of four different sources: telephone line input (RIN), handset (TELIN), microphone (MICM or MICV).

The speaker output (SPK) can originate from one of five different sources: RIN, TELIN, MICM or MICV or from the MDP's internal voice playback mode.

The voice/audio output may be routed to the telephone line output (TXA1 and TXA2) or handset (TELOUT).

The voice paths can be switched to allow an audio input to be routed to the telephone line output through a variable gain for applications such as music-on-hold.

The "room monitor" mode allows the MDP to receive audio from its surroundings and concurrently transmit the audio to a remote site.

AudioSpan Mode (SP Models)

AudioSpan provides full-duplex analog simultaneous audio/voice and data over a single telephone line at a data rate with audio of 4800 bps using V.61 modulation. AudioSpan can send any type of audio waveform, including music. Data can be sent with or without error correction. The audio/voice interface can be in the form of a headset, handset, or a microphone and speaker (half-duplex speakerphone). Handset echo cancellation is provided.

Data Formats

Serial Synchronous Data

Data rate: 300-56000 bps (RP56), 300-33600 bps (RP56 and RP336), or 300-14400 bps, $\pm 0.01\%$.

Selectable clock: Internal, external, or slave.

Serial Asynchronous Data

Data rate: 300-56000 bps (RP56), 300-33600 bps (RP56 and RP336), or 300-14400 bps, +1% (or +2.3%), -2.5%;

0-300 bps (V.21 and Bell 103);

1200/75 bps (V.23).

Bits per character: 7, 8, 9, 10, or 11.

Parallel Synchronous Data

Normal sync: 8-bit data for transmit and receive

Data rate: 300-56000 bps (RP56), 300-33600 bps (RP56 and RP336), or 300-14400 bps, $\pm 0.01\%$.

SDLC/HDLC support:

Transmitter: Flag generation, 0 bit stuffing, CRC-16 or CRC-32 generation.

Receiver: Flag detection, 0 bit deletion, CRC-16 or CRC-32 checking.

Parallel Asynchronous Data

Data rate: 300-56000 bps (RP56), 300-33600 bps (RP56 and RP336), or 300-14400 bps, +1% (or 2.3%), -2.5%;

1200, 300, or 75 bps (FSK).

Data bits per character: 5, 6, 7, or 8.

Parity generation/checking: Odd, even, or 9th data bit.

Async/Sync and Sync/Async Conversion

An asynchronous-to-synchronous converter is provided in the transmitter and a synchronous-to-asynchronous converter is provided in the receiver. The converters operate in both serial and parallel modes. The asynchronous character format is 1 start bit, 5 to 8 data bits, an optional parity bit, and 1 or 2 stop bits. Valid character size, including all bits, is 7, 8, 9, 10, or 11 bits per character. Two ranges of signaling rates are provided:

- Basic range: +1% to -2.5%
- Extended overspeed range: +2.3% to -2.5%

When the transmitter's converter is operating at the basic signaling rate, no more than one stop bit will be deleted per 8 consecutive characters. When operating at the extended rate, no more than one stop bit will be deleted per 4 consecutive characters. Break handling is performed as described in V.14.

Asynchronous characters are accepted on the TXD serial input and are issued on the RXD serial output.

V.54 Inter-DCE Signaling

The MDP supports V.54 inter-DCE signaling procedures in synchronous and asynchronous configurations. Transmission and detection of the preparatory, acknowledgment, and termination phases as defined in V.54 are provided. Three control bits in the transmitter allow the host to send the appropriate bit patterns (V54T, V54A, and V54P bits). Three control bits in the receiver are used to enable one of three bit pattern detectors (V54TE, V54AE, and V54PE bits). A status bit indicates when the selected pattern detector has found the corresponding bit pattern (V54DT bit).

V.13 Remote RTS Signaling

The MDP supports V.13 remote RTS signaling. Transmission and detection of signaling bit patterns in response to a change of state in the RTS bit or the ~RTS input signal are provided. The RRTSE bit enables V.13 signaling. The RTSDE bit enables detection of V.13 patterns. The RTSST status bit indicates the state of the remote RTS signal. This feature may be used to clamp/unclamp the local ~RLSD and RXD signals in response to a change in the remote RTS signal in order to simulate controlled carrier operation in a constant carrier environment. The MDP automatically clamps and unclamps ~RLSD.

Dialing and Answering

The host can dial and answer using supported DTMF/pulse dialing and tone detection functions. The major parameters are host programmable.

Supervisory Tone Detection

Three parallel tone detectors (A, B, and C) are provided for supervisory tone detection. The signal path to these detectors is separate from the main received signal path.

Each tone detector consists of two cascaded second order IIR biquad filters. The coefficients are host programmable. Each fourth order filter is followed by a level detector which has host programmable turn-on and turn-off thresholds allowing hysteresis. Tone detector C is preceded by a prefilter and squarer. This circuit is useful for detecting a tone with frequency equal to the difference between two tones that may be simultaneously present on the line. The squarer may be disabled by the SQDIS bit causing tone detector C to be an eighth order filter. The tone detectors are disabled in data mode.

The tone detection sample rate is 9600 Hz in V.8 and V.34 modes and is 7200 Hz in non-V.34 modes. The default call progress filter coefficients are based on a 7200 Hz sampling rate and apply to non-V.34 modes only.

The maximum detection bandwidth is equal to one-half the sample rate.

The default bandwidths and thresholds of the tone detectors are:

Tone Detector	Bandwidth	Turn-On Threshold	Turn-Off Threshold
A	245 – 650 Hz	–25 dBm	–31 dBm
B	360 – 440 Hz	–25 dBm	–31 dBm
C Prefilter	0 – 500 Hz	N/A	N/A
C	50 – 110 Hz	*	*

* Tone Detector C will detect a difference tone within its bandwidth when the two tones present are in the range –1 dBm to –26 dBm.

511 Pattern Generation/Detection

In synchronous mode, a 511 pattern can be generated and detected (control bit S511). Use of this bit pattern during self-test eliminates the need for external test equipment.

In-Band Secondary Channel

A full-duplex in-band secondary channel is provided in V.34 (all speeds) and V.32 bis/V.32 (7200 bps and above) modes. Control bit SECEN enables and disables the secondary channel operation. The secondary channel operates in parallel data mode with independent transmit and receive interrupts and data buffers. The main channel may operate in parallel or serial mode.

In V.34 modes, the secondary channel rate is 200 bps.

In V.32 bis/V.32 modes, the secondary channel rate is 150 bps. This rate is also host programmable in V.32 bis/V.32 modes.

Transmit and Receive FIFO Data Buffers

Two (16+128)-byte first-in first-out (FIFO) data buffers allow the DTE/host to rapidly output up to 144 bytes of transmit data and input up to 144 bytes of accumulated received data. The receiver FIFO is always enabled. The transmitter FIFO is enabled by the FIFOEN control bit. TXHF and RXHF bits operate off the lower 16 bits and indicate the corresponding FIFO buffer half full (8 or more bytes loaded) status. TXFNF and RXFNE bits indicate the TXFIFO buffer not full and RXFIFO buffer not empty status, respectively. An interrupt mask register allows an interrupt request to be generated whenever the TXFNF, RXFNE, RXHF, or TXHF status bit changes state. The 128-byte FIFO extensions are enabled by default and can be disabled by clearing a bit in RAM.

DMA Support Interrupt Request Lines

DMA support is available in synchronous, asynchronous, and HDLC parallel data modes. Control bit DMAE enables and disables DMA support. When DMA support is enabled, the MDP ~RI and ~DSR lines are assigned to Transmitter Request (TXRQ) and Receiver Request (RXRQ) hardware output interrupt request lines, respectively. The TXRQ and RXRQ signals follow the assertion of the TDBE and RDBF interrupt bits thus allowing the DTE/host to respond immediately to the

interrupt request without masking out status bits to determine the interrupt source.

NRZI Encoding/Decoding

NRZI data encoding/decoding may be selected in synchronous and HDLC modes instead of the default NRZ (control bit NRZIEN). In NRZ encoding, a 1 is represented by a high level and a 0 is represented by a low level. In NRZI encoding, a 1 is represented by no change in level and a 0 is represented by a change in level.

ITU-T CRC-32 Support

ITU-T CRC-32 generation/checking may be selected instead of the default ITU-T CRC-16 in HDLC mode using DSP RAM access.

Caller ID Demodulation

Caller ID information can be demodulated in V.23 1200 receive configuration and presented to the host/DTE in serial (RXD) and parallel (RBUFFER) form.

Telephone Line Interface

Line Transformer Interface. V.90/K56flex/V.34/V.32 bis/V.32 places high requirements upon the Data Access Arrangement (DAA) to the telephone line. Any non-linear distortion generated by the DAA in the transmit direction cannot be canceled by the MDP's echo canceller and interferes with data reception. The designer must, therefore, ensure that the total harmonic distortion seen at the RXA input to the MDP be at least 65 dB below the minimum level of received signal. Due to the wider bandwidth requirements in V.90, K56flex, and V.34, the DAA must maintain linearity from 10 Hz to 4000 Hz.

Relay Control. Direct control of the off-hook and talk/data relays is provided. Internal relay drivers allow direct connection to the off-hook (RLYA) and talk/data (RLYB) relays. The talk/data relay output can optionally be used for pulse dial.

Speaker Interface

An analog speaker output (SPK) is provided with on/off and volume control logic incorporated in the MDP. An external amplifier is recommended if driving non-amplified speakers.

A digital speaker output (SPKMD) is provided which reflects the received analog input signal digitized to TTL high or low level by an internal comparator to create a PC Card (PCMCIA)-compatible signal.

Additional Information

Additional information is provided in the RP56D, RP336D, and RP144D Modem Designer's Guide (Order No. 1155).

Hardware Interface Signals

A functional interconnect diagram showing the typical MDP connection in a system is illustrated in Figure 2. Any point that is active low is represented by a small circle at the signal point.

Edge triggered inputs are denoted by a small triangle (e.g., TDCLK). An active low signal is indicated by a tilde preceding the signal name (e.g., ~RESET).

A clock intended to activate logic on its rising edge (low-to-high transition) is called active low (e.g., ~RDCLK), while a clock intended to activate logic on its falling edge (high-to-low transition) is called active high (e.g., TDCLK). When a clock input is associated with a small circle, the input activates on a falling edge. If no circle is shown, the input activates on a rising edge.

The 100-pin PQFP MDP hardware interface signals are shown Figure 2.

The 100-pin PQFP MDP signal pin assignments are shown Figure 3 and are listed in Table 4.

The MDP hardware interface signals are described in Table 5.

The digital interface characteristics are defined in Table 6.

The analog interface characteristics are defined Table 7.

The power requirements are defined in Table 8.

The absolute maximum ratings are defined in Table 9.

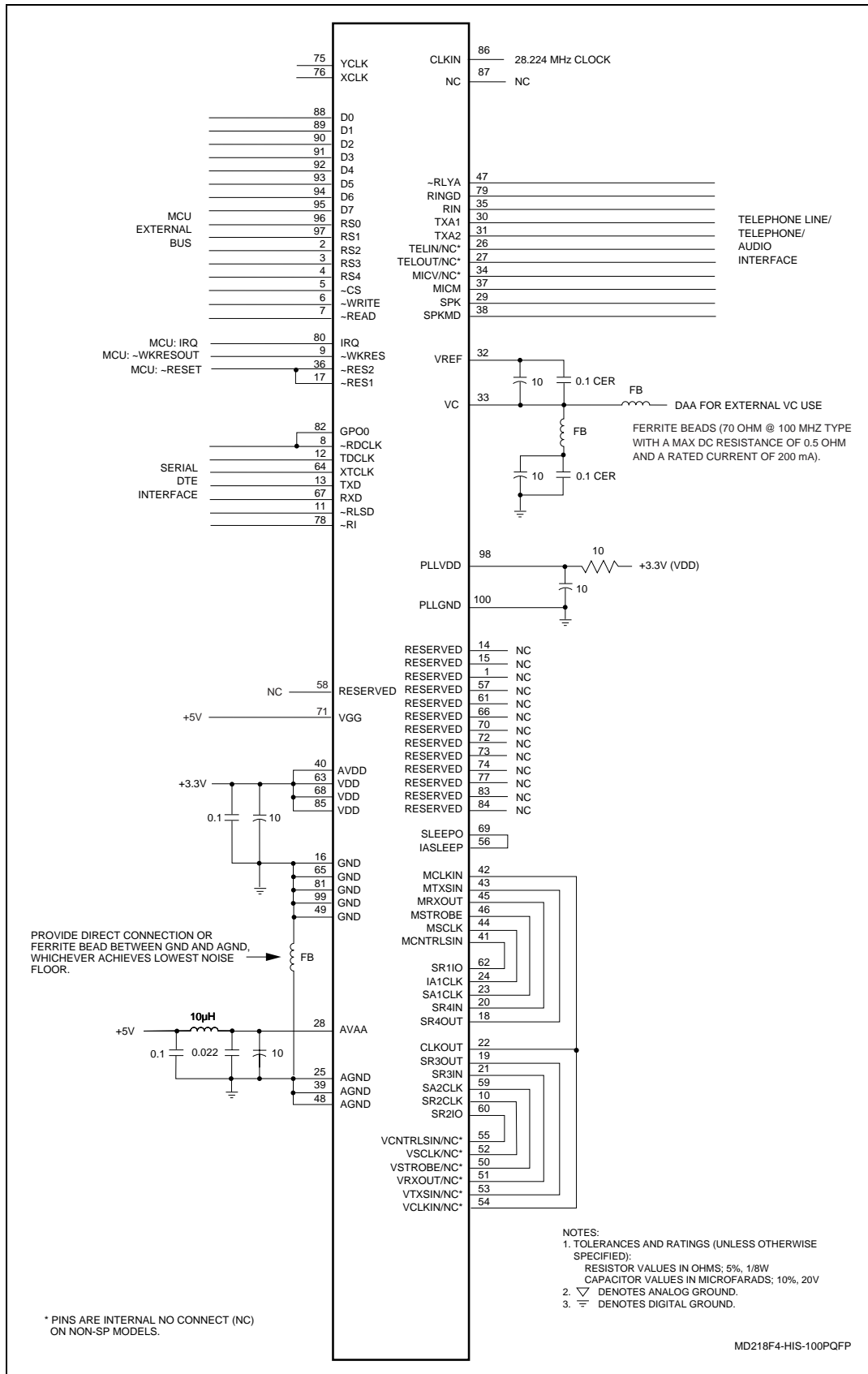


Figure 2. MDP Hardware Interface Signals-100-Pin PQFP

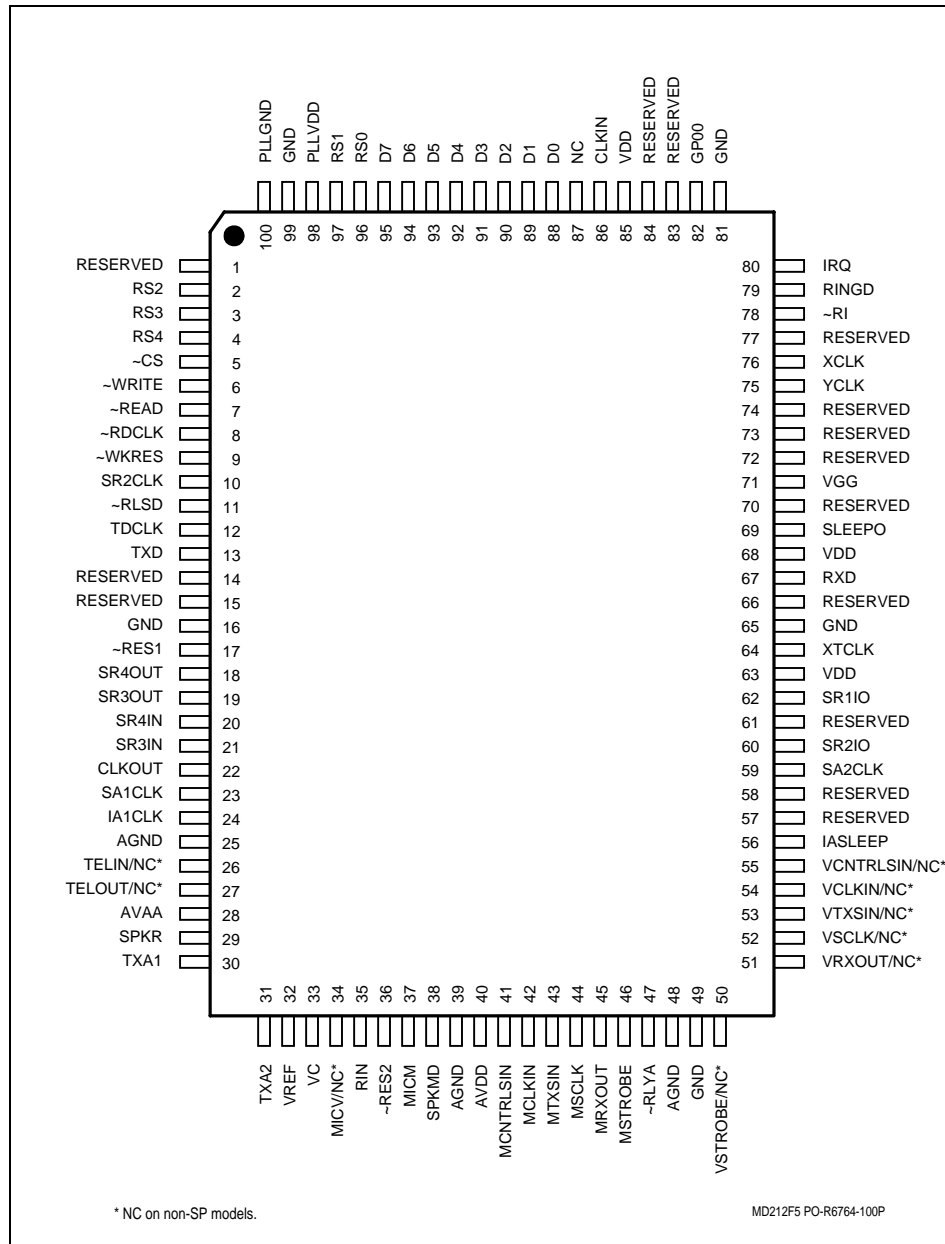


Figure 3. MDP Pin Signals - 100-Pin PQFP

Table 4. MDP Pin Signals - 100-Pin PQFP

Pin	Signal Label	I/O Type	Interface ³	Pin	Signal Label	I/O Type	Interface
1	RESERVED		NC	51	VRXOUT/NC*	DI	To SR3IN (21)
2	RS2	IA	Host Parallel Interface	52	VSCLK/NC*	DI	To SR2CLK (10)
3	RS3	IA	Host Parallel Interface	53	VTXSIN/NC*	DI	To SR3OUT (19)
4	RS4	IA	Host Parallel Interface	54	VCLKIN/NC*	DI	To CLKOUT (22)
5	-CS	IA	Host Parallel Interface	55	VCNTRLSIN/NC*	DI	To SR2IO (60)
6	-WRITE	IA	Host Parallel Interface	56	IASLEEP	DI	To SLEEPO (69)
7	-READ	IA	Host Parallel Interface	57	RESERVED		NC
8	-RDCLK	OA	DTE Serial Interface	58	RESERVED		NC
9	-WKRES	IA	MCU: READY/-WKRESOUT	59	SA2CLK	DI	To VSTROBE (50)
10	SR2CLK	DI	To VSCLK (52)	60	SR2IO	DI	To VCNTRLSIN (55)
11	-RLSD	OA	DTE Serial Interface	61	RESERVED		NC
12	TDCLK	OA	DTE Serial Interface	62	SR1IO	DI	To MCNTRLSIN (41)
13	TXD	IA	DTE Serial Interface	63	VDD	PWR	+3.3V
14	RESERVED		NC	64	XTCLK	IA	DTE Serial Interface
15	RESERVED		NC	65	GND	GND	DGND
16	GND	GND	DGND	66	RESERVED		NC
17	-RES1		PIF: -RESET SIF: Reset circuit	67	RXD	OA	DTE Serial Interface
18	SR4OUT	DI	To MTXSIN (43)	68	VDD	PWR	+3.3V
19	SR3OUT	DI	To VTXSIN (53)	69	SLEEPO	DI	To IASLEEP (56)
20	SR4IN	DI	To MRXOUT (45)	70	RESERVED		NC
21	SR3IN	DI	To VRXOUT (51)	71	VGG	REF	+5V
22	CLKOUT	DI	To MCLKIN (42) & VCLKIN (54)	72	RESERVED		NC
23	SA1CLK	DI	To MSTROBE (46)	73	RESERVED		NC
24	IA1CLK	DI	To MSCLK (44)	74	RESERVED		NC
25	AGND	GND	Analog Ground	75	YCLK	OA	NC
26	TELIN/NC*	I(DA)	Line/Audio Interface	76	XCLK	OA	NC
27	TELOUT/NC*	O(DD)	Line/Audio Interface	77	RESERVED		NC
28	AVAA	PWR	+5VA	78	-RI	OA	DTE Serial Interface
29	SPK	O(DF)	Line/Audio Interface	79	RINGD	IA	Line/Audio Interface
30	TXA1	O(DD)	Line/Audio Interface	80	IRQ	IA	Host Parallel Interface
31	TXA2	O(DD)	Line/Audio Interface	81	GND	GND	DGND
32	VREF	REF	VC through capacitors	82	GP00	DI	To -RDCLK (8)
33	VC	REF	DAA through FB; GND through capacitors and FB	83	RESERVED		NC
34	MICV/NC*	I(DA)	Line/Audio Interface	84	RESERVED		NC
35	RIN	I(DA)	Line/Audio Interface	85	VDD	PWR	+3.3V
36	-RES2		PIF: -RESET SIF: Reset circuit	86	CLKIN	I	Clock Circuit
37	MICM	I(DA)	Line/Audio Interface	87	NC		NC
38	SPKMD	OA	Line/Audio Interface	88	D0	IA/OB	Host Parallel Interface
39	AGND	GND	Analog Ground	89	D1	IA/OB	Host Parallel Interface
40	AVDD	PWR	+3.3V	90	D2	IA/OB	Host Parallel Interface
41	MCNTRLSIN	DI	To SR1IO (62)	91	D3	IA/OB	Host Parallel Interface
42	MCLKIN	DI	To CLKOUT (22)	92	D4	IA/OB	Host Parallel Interface
43	MTXSIN	DI	To SR4OUT (18)	93	D5	IA/OB	Host Parallel Interface
44	MSCLK	DI	To IA1CLK (24)	94	D6	IA/OB	Host Parallel Interface
45	MRXOUT	DI	To SR4IN (20)	95	D7	IA/OB	Host Parallel Interface
46	MSTROBE	DI	To SA1CLK (23)	96	RS0	IA	Host Parallel Interface
47	-RLYA	OD	NC	97	RS1	IA	Host Parallel Interface
48	AGND	GND	AGND	98	PLLVDD	PLL	To +3.3 (VDD) through 10 Ω and to DGND through 10 μF.
49	GND	GND	DGND	99	GND	GND	DGND
50	VSTROBE/NC*	DI	To SA2CLK (59)	100	PLLGND	PLL	DGND

Notes:

- I/O types:
 IA, IB = Digital input; OA, OB = Digital output.
 I(DA) = Analog input; O(DD), O(DF) = Analog output.
 DI = Device interconnect.
 - NC = No external connection allowed (may have internal connection).
 - Interface Legend:
 MDP = Modem Data Pump
 DTE = Data Terminal Equipment
 PIF = Parallel host interface
 SIF = Serial DTE interface.
- * NC on non-SP models.

Table 5. MDP Signal Definitions

Label	I/O Type	Signal/Definition
OVERHEAD SIGNALS		
CLKIN	I	Clock In. Connect to an external 28.224 MHz clock circuit.
~RES1, ~RES2	IA	Reset. ~RESET low holds the MDP in the reset state. ~RESET going high releases the MDP from the reset state and initiates normal operation using power turn-on (default) values. ~RESET must be held low for at least 3 μ s. The MDP is ready to use 400 ms after the low-to-high transition of ~RESET. ~RES1 and ~RES2 are typically connected to the MCU ~RESET input and to the host bus ~RESET (or RESET through an inverter) line (parallel host) or reset circuit (serial DTE interface) which resets both the MCU and MDP upon power turn-on. ~RES1 and ~RES2 have active internal pull-up resistors.
~WKRES	IA	Wake-up Reset. ~WKRES is connected internally to ~RESET but will not drive the MDP ~RESET pins. Asserting ~WKRES performs the same reset function as the MDP ~RESET and typically used by the MCU to wake up the MDP from SLEEP Mode when the MDP ~RESET lines cannot be asserted (because they are also connected to the MCU ~RESET input). For a serial DTE or parallel host MCU configuration, connect ~WKRES to the MCU ~WKRESOUT output. ~WKRES has an active internal pull-up resistor.
VDD	PWR	+3.3V Digital Circuit Power Supply. Connect to +3.3V through digital circuit power supply filter.
AVDD	PWR	+3.3V Analog Circuit Digital Power Supply. Connect to +3.3V through digital circuit power supply filter.
AVAA	PWR	Analog Circuit Analog Power Supply. Connect to +5V through analog circuit power supply filter.
VGG	REF	Input Reference Voltage. Reference voltage for +5V tolerant input pins. Connect to +5V.
GND	GND	Digital Ground. Connect to digital ground.
AGND	GND	Analog Ground. Connect to analog ground.
XCLK	OA	X Clock. Output clock at 56.448 MHz (PLL disabled) or 63.5045 (PLL enabled), which runs during MDP Normal Mode and is turned off during Sleep Mode.
YCLK	OA	Y Clock. Output clock at 28.224 MHz, which runs during MDP Normal Mode and is turned off during Sleep Mode.
SYCLK	OA	System Clock. Output clock at 28.224 MHz, which runs during MDP Normal Mode and during Sleep Mode.
PLLVD	PLL	PLLVD Connection. Connect to +3.3V (VDD) through 10 Ω and to DGND through 10 (+) μ F.
PLLGND	PLL	PLLGND Connection. Connect to DGND.
PARALLEL HOST INTERFACE		
Address, data, control, and interrupt hardware interface signals allow MDP connection to an 8086-compatible microprocessor bus. With the addition of external logic, the interface can be made compatible with a wide variety of other microprocessors such as the 6502, 8086 or 68000. The microprocessor interface allows a microprocessor to change MDP configuration, read or write channel and diagnostic data, and supervise MDP operation by writing control bits and reading status bits.		
D0–D7	IA/OB	Data Lines. Eight bidirectional data lines (D0–D7) provide parallel transfer of data between the host and the MDP. The most significant bit is D7. Data direction is controlled by the Read Enable and Write Enable signals.
RS0–RS4	IA	Register Select Lines. The five active high register select lines (RS0–RS4) address interface memory registers within the MDP interface memory. These lines are typically connected to the five least significant lines (A0–A4) of the address bus. The MDP decodes RS0 through RS4 to address one of 32 internal interface memory registers (00–1F). The most significant address bit is RS4, while the least significant address bit is RS0. The selected register can be read from or written into via the 8-bit parallel data bus (D0–D7). The most significant data bit is D7, while the least significant data bit is D0.
~CS	IA	Chip Select. ~CS selects the MDP for microprocessor bus operation. ~CS is typically generated by decoding host address bus lines.
~READ	IA	Read Enable. During a read cycle (~READ asserted), data from the selected interface memory register is gated onto the data bus by means of three-state drivers in the MDP. These drivers force the data lines high for a one bit, or low for a zero bit. When not being read, the three-state drivers assume their high-impedance (off) state.
~WRITE	IA	Write Enable. During a write cycle (~WRITE asserted), data from the data bus is copied into the selected MDP interface memory register, with high and low bus levels representing one and zero bit states, respectively.
IRQ	OA	Interrupt Request. The MDP IRQ output may be connected to the host processor interrupt request input in order to interrupt host program execution for immediate MDP service. The IRQ output can be enabled in the MDP interface memory to indicate immediate change of conditions. The use of IRQ is optional depending upon MDP application. The IRQ output is driven by a TTL-compatible CMOS driver.

Table 5. MDP Signal Definitions (Cont'd)

Label	I/O Type	Signal Name/Description
DTE SERIAL INTERFACE		
Timing, data, control, and status signals provide a V.24-compatible serial interface. These signals are TTL compatible in order to drive the short wire lengths and circuits normally found within a printed circuit board, stand-alone modem enclosures, or equipment cabinets. For driving longer cables, these signals can be easily converted to EIA/RS-232-D voltage levels.		
TXD	IA	Transmitted Data. The MDP obtains serial data to be transmitted from the local DTE on the Transmitted Data (TXD) input.
RXD	OA	Received Data. The MDP presents received serial data to the local DTE on the Received Data (RXD) output.
~RTS	IA	Request to Send. Activating ~RTS causes the MDP to transmit data on TXD when ~CTS becomes active. The ~RTS pin is logically ORed with the RTS bit.
~CTS	OA	Clear To Send. ~CTS active indicates to the local DTE that the MDP will transmit any data present on TXD. CTS response times from an active condition of RTS are shown in Table 3.
~RLSD	OA	Received Line Signal Detector. ~RLSD active indicates to the local DTE that energy above the receive level threshold is present on the receiver input, and that the energy is not a training sequence. One of four ~RLSD receive level threshold options can be selected (RTH bits). A minimum hysteresis action of 2 dB exists between the actual off-to-on and on-to-off transition levels. The threshold level and hysteresis action are measured with a modulated signal applied to the Receiver Analog (RXA) input. Note that performance may be degraded when the received signal level is less than -43 dBm. The ~RLSD on and off thresholds are host programmable in DSP RAM.
~DTR	IA	Data Terminal Ready. In V.8, V.90, K56flex, V.34, V.32 bis, V.32, V.22 bis, V.22, or Bell 212A configuration, activating ~DTR initiates the handshake sequence. The DATA bit must be set to complete the handshake. In V.21, V.23, or Bell 103 configuration, activating ~DTR causes the MDP to enter the data state provided that the DATA bit is a 1. If in answer mode, the MDP immediately sends answer tone. In these modes, if controlled carrier is enabled, carrier is controlled by RTS. During the data mode, deactivating ~DTR causes the transmitter and receiver to turn off and return to the idle state. The ~DTR input and the DTR control bit are logically ORed.
~DSR	OA	Data Set Ready. ~DSR ON indicates that the MDP is in the data transfer state. ~DSR OFF indicates that the DTE is to disregard all signals appearing on the interchange circuits except Ring Indicator (~RI). ~DSR is OFF when the MDP is in a test mode (i.e., local analog or remote digital loopback). The DSR status bit reflects the state of the ~DSR output.
~RI	OA	Ring Indicator. ~RI output follows the ringing signal present on the line with a low level (0 V) during the ON time, and a high level during the OFF time coincident with the ringing signal. The RI status bit reflects the state of the ~RI output.
TDCLK	OA	Transmit Data Clock. The MDP outputs a synchronous Transmit Data Clock (TDCLK) for USRT timing. The TDCLK frequency is the data rate ($\pm 0.01\%$) with a duty cycle of $50 \pm 1\%$. The TDCLK source can be internal, external (input on XTCLK), or slave (to ~RDCLK) as selected by TXCLK bits in interface memory.
XTCLK	IA	External Transmit Clock. In synchronous communication, an external transmit data clock can be connected to the MDP XTCLK input. The clock supplied at XTCLK must exhibit the same characteristics as TDCLK. The XTCLK input is then reflected at the TDCLK output.
~RDCLK	OA	Receive Data Clock. The MDP outputs a synchronous Receive Data Clock (~RDCLK) for USRT timing. The ~RDCLK frequency is the data rate ($\pm 0.01\%$) with a duty cycle of $50 \pm 1\%$. The ~RDCLK low-to-high transitions coincide with the center of the received data bits.

Table 5. MDP Signal Definitions (Cont'd)

Label	I/O Type	Signal Name/Description
TELEPHONE LINE/TELEPHONE/AUDIO INTERFACE SIGNALS AND REFERENCE VOLTAGE		
TXA1, TXA2	O(DF)	Transmit Analog 1 and 2 Output. The TXA1 and TXA2 outputs are differential outputs 180 degrees out of phase with each other. Each output can drive a 300 Ω load. Typically, TXA1 and TXA2 are connected to the telephone line interface or an optional external hybrid circuit.
RIN	I(DA)	Receive Analog Input. RIN is a single-ended input with 70K Ω input impedance. Typically, RIN is connected to telephone line interface or an optional external hybrid circuit. NOTE: If not used, do not tie directly to ground; this input has a bias voltage of +2.5V (VAA = +5V).
RINGD	IA	Ring Detect. The RINGD input is monitored for pulses in the range of 15 Hz to 68 Hz. The frequency detection range may be changed by the host in DSP RAM. The circuit driving RINGD should be a 4N35 optoisolator or equivalent. The circuit driving RINGD should not respond to momentary bursts of ringing less than 125 ms in duration, or less than 40 VRMS (15 Hz to 68 Hz) across TIP and RING. Detected ring signals are reflected on the ~RI output signal as well as the RI bit.
~RLYA (~OHRC, ~CALLID)	OD	Relay A Control. The ~RLYA open drain output can directly drive a reed relay coil with a minimum resistance of 360 ohms (9.2 mA max. @ +3.3V). A clamp diode, such as a 1N4148, should be installed across the relay coil. An external transistor can be used to drive heavier loads (e.g., electro-mechanical relays). ~RLYA is controlled by host setting/resetting of the RA bit. In a typical application, ~RLYA is connected to the normally open Off-Hook relay (~OHRC). In this case, ~RLYA active closes the relay to connect the MDP to the telephone line. Alternatively, in a typical application, ~RLYA is connected to the normally open Caller ID relay (~CALLID). When the MDP detects a Calling Number Delivery (CND) message, the ~RLYA output is asserted to close the Caller ID relay in order to AC couple the CND information to the MDP RIN input (without closing the off-hook relay and allowing loop current flow which would indicate an off-hook condition).
~RLYB (~TALK)	OD	Relay B Control. The ~RLYB open drain output can directly drive a reed relay coil with a minimum resistance of 360 ohms (9.2 mA max. @ 3.3V). A clamp diode, such as a 1N4148, should be installed across the relay coil. An external transistor can be used to drive heavier loads (e.g., electro-mechanical relays). ~RLYB is controlled by host setting/resetting of the RB bit. In a typical application, ~RLYB is connected to the normally closed Talk/Data relay (~TALK). In this case, ~RLYB active opens the relay to disconnect the handset from the telephone line.
MICM	I(DA)	Modem Microphone Input. MICM is a single-ended microphone input. The input impedance is > 70k Ω. NOTE: If not used, do not tie directly to ground; this input has a bias voltage of +2.5V (VAA = +5V).
SPK	O(DF)	Speaker Analog Output. The SPK analog output can originate from one of five different sources: RIN, TELIN, MICM or MICV or from the MDP's internal voice playback mode. The SPK on/off and three levels of attenuation are controlled by bits in DSP RAM. When the speaker is turned off, the SPK output is clamped to the voltage at the VC pin. The SPK output can drive an impedance as low as 300 ohms. In a typical application, the SPK output is an input to an external LM386 audio power amplifier.
SPKMD	OA	Modem Speaker Digital Output. The SPKMD digital output reflects the received analog input signal digitized to TTL high or low level by an internal comparator to create a PC Card (PCMCIA)-compatible signal.
VREF	REF	High Voltage Reference. Connect to VC through 10 μF (polarized, + terminal to VREF) and 0.1 μF (ceramic) in parallel.
VC	REF	Low Voltage Reference. Connect to a ferrite bead and connect the other end of the ferrite bead to DGND through 10 μF (polarized, + terminal to VC) and 0.1 μF (ceramic) in parallel.
MICV/NC*	I(DA)	Voice Microphone Input. MICV is a single-ended microphone input. Typically, MICV is connected to a microphone output for recording voice e.g., in a speakerphone application. NOTE: If not used, do not tie directly to ground; this input has a bias voltage of +2.5V (VAA = +5V).
TELIN/NC*	I(DA)	Telephone Analog Input. TELIN is a single-ended input with 70K Ω input impedance. Typically, TELIN is connected to a telephone handset microphone circuit. NOTE: If not used, do not tie directly to ground; this input has a bias voltage of +2.5V (VAA = +5V).
TELOUT/NC*	O(DF)	Telephone Analog Output. TELOUT is a single-ended output that can drive a 300 Ω load. Typically, TELOUT is connected to a telephone handset speaker circuit.
MICBIAS	REF	Microphone Bias. Microphone bias reference voltage.

Table 5. MDP Signal Definitions (Cont'd)

Label	I/O Type	Signal Name/Description
MISCELLANEOUS		
RESERVED		Reserved Function. May be connected to internal circuit. Leave open.
MDP INTERCONNECT		
GP00	DI	To ~RDCLK.
SLEEPO	DI	To IASLEEP.
IASLEEP	DI	To SLEEPO.
MSCLK	DI	To IA1CLK.
CLKOUT	DI	To MCLKIN & VCLKIN.
SR1IO	DI	To MCNTRLSIN.
SR3IN	DI	To VRXOUT.
IA1CLK	DI	To MSCLK.
SA1CLK	DI	To MSTROBE.
SR4OUT	DI	To MTXSIN.
MCLKIN	DI	To CLKOUT.
VCLKIN/NC*	DI	To CLKOUT.
MSTROBE	DI	To SA1CLK.
VSTROBE/NC*	DI	To SA2CLK.
MCNTRLSIN	DI	To SR1IO.
VSCLK/NC*	DI	To SR2CLK.
VCNTRLSIN/NC*	DI	To SR2IO.
MRXOUT	DI	To SR4IN.
VTXSIN/NC*	DI	To SR3OUT.
VRXOUT/NC*	DI	To SR3IN.
MTXSIN	DI	To SR4OUT.
SR2IO	DI	To VCNTRLSIN.
SR4IN	DI	To MRXOUT.
SR2CLK	DI	To VSCLK.
SA2CLK	DI	To VSTROBE.
SR3OUT	DI	To VTXSIN.
* NC on non-SP models. External interconnects as described can made for the NC pins on non-SP models in case SP models are ever substituted in the application design and SP support is required.		

Table 6. Digital Electrical Characteristics

Parameter	Symbol	Min.	Typ.	Max.	Units	Test Conditions ¹
Input High Voltage Type IA	V_{IH}	2.0	–	V_{CC}	Vdc	
Input High Current	I_{IH}	–	–	40	μA	
Input Low Voltage	V_{IL}	0.3		0.8	VDC	
Input Low Current	I_{IL}	–	–	40	μA	
Input Leakage Current	I_{IN}	–	–	± 100	μADC	$V_{IN} = 0$ to $+3.3V$, $V_{CC} = 3.6V$
Output High Voltage Type OA Type OD	V_{OH}	2.4	–	V_{CC}	VDC	$I_{LOAD} = -100 \mu A$ $I_{LOAD} = 0 mA$
Output Low Voltage Type OA Type OD	V_{OL}	–	–	0.4 0.75	VDC	$I_{LOAD} = 1.6 mA$ $I_{LOAD} = 15 mA$
Three-State (Off) Current	I_{TSI}			± 10	μADC	$V_{IN} = 0.4$ to V_{CC}^{-1}

Table 7. Analog Electrical Characteristics

Signal Name	Type	Characteristic	Value
RIN, TELIN, MICM, MICV	I (DA)	Input Impedance AC Input Voltage Range Reference Voltage	$> 70K \Omega$ 1.1 VP-P $+2.5 VDC (VAA = +5V)$
TXA1, TXA2, TELOUT	O (DD)	Minimum Load Maximum Capacitive Load Output Impedance AC Output Voltage Range Reference Voltage DC Offset Voltage	300 Ω 0 μF 10 Ω 2.2 VP-P (VAA = +5V) (with reference to ground and a 600 Ω load) $+2.5 VDC (VAA = +5V)$ $\pm 200 mV$
SPK	O (DF)	Minimum Load Maximum Capacitive Load Output Impedance AC Output Voltage Range Reference Voltage DC Offset Voltage	300 Ω 0.01 μF 10 Ω 2.2 VP-P (VAA = +5V) $+2.5 VDC (VAA = +5V)$ $\pm 20 mV$

Table 8. Current and Power Requirements

Mode	Typical Current (mA)	Maximum Current (mA)	Typical Power (mW)	Maximum Power (mW)	Notes
Normal Mode	85	90	280	325	f = 28.224 MHz
Sleep Mode	53	—	175	—	f = 28.224 MHz

Notes:

1. Operating voltage: VDD = +3.3V ± 0.3V.
2. Test conditions: VDD = +3.3V for typical values; VDD = +3.6V for maximum values.
3. Input Ripple ≤ 0.1 V_{peak-peak}.
4. f = Internal frequency.

Table 9. Absolute Maximum Ratings

Parameter	Symbol	Limits	Units
Supply Voltage	V _{DD}	-0.5 to +4.0	V
Input Voltage	V _{IN}		V
Except XTLI		-0.5 to (VGG + 0.5)*	
XTLI		-0.5 to 3.9V	
Operating Temperature Range	T _A	-0 to +70	°C
Storage Temperature Range	T _{STG}	-55 to +125	°C
Analog Inputs	V _{IN}	-0.3 to (VAA + 0.5)	V
Voltage Applied to Outputs in High Impedance (Off) State	V _{HZ}	-0.5 to (VGG + 0.5)*	V
DC Input Clamp Current	I _{IK}	±20	mA
DC Output Clamp Current	I _{OK}	±20	mA
Static Discharge Voltage (25°C)	V _{ESD}	±2500	V
Latch-up Current (25°C)	I _{TRIG}	±400	mA

* VGG = +5.0V ± 5%.

Worldwide Headquarters

4311 Jamboree Road,
P. O. Box C
Newport Beach, CA 92658-8902
Phone: (949) 483-4600
Fax: (949) 483-6375

For more information:
Call 1-800-854-8099
International information:
Call 1-949-483-6996

URL Address:
<http://www.conexant.com>
E-Mail Address:
literature@conexant.com

REGIONAL SALES OFFICES

US Northwest/Pacific Northwest

3600 Pruneridge Avenue
Suite 100
Santa Clara, CA 95051
Phone: (408) 249-9696
Fax: (408) 249-7113

US Los Angeles

1000 Business Center Circle
Suite 215
Thousand Oaks, CA 91320
Phone: (805) 376-0559
Fax: (805) 376-8180

US Southwest

4350 Von Karman Ave.
Suite 400
Newport Beach, CA 92660
Phone: (949) 483-9119
Fax: (949) 483-9090

US North Central

Two Pierce Place
Chancellory Park
Suite 810
Itasca, IL 60143
Phone: (630) 773-3454
Fax: (630) 773-3907

US South Central

17304 Preston Road
Suite 970
Dallas, TX 75252
Phone: (972) 733-0723
Fax: (972) 407-0639

US Northeast

239 Littleton Road
Suite 4A
Westford, MA 01886
Phone: (508) 692-7660
Fax: (508) 692-8185

US Southeast

3500 Parkway Lane, Suite 415
Norcross, GA 30092
Phone: (770) 246-8283
Fax: (770) 246-0018

US Florida/South America

One Prestige Place
2600 McCormick Drive
Suite 350
Clearwater, FL 33759
Phone: (813) 799-8406
Fax: (813) 799-8306

US Mid-Atlantic

Princeton Pike Corporate Center
993 Lenox Drive, Suite 200
Lawrenceville, NJ 08648
Phone: (609) 219-7462
Fax: (609) 895-2666

European Headquarters

Les Taissonnieres B1
1680 Route des Dolines
BP 283
06905 Sophia Antipolis Cedex
France
Phone: (33) 4 93 00 33 35
Fax: (33) 4 93 00 33 03

Europe Central

Paul-Gerhardt-Allee 50 a
81245 München
Germany
Phone: (49-89) 829-1320
Fax: (49-89) 834-2734

Europe Mediterranean

Via G. Di Vittorio, 1
20017 Mazzo Di Rho (MI)
Italy
Phone: (39 2) 93179911
Fax: (39 2) 93179913

Europe North

Berkshire Court
Western Road
Bracknell
Berkshire RG12 1RE
England
Phone: 44 (0) 1344 486444
Fax: 44 (0) 1344 486555

Europe North (Satellite)

11 Galgaley Haplada Street
P.O. Box 12660
Herzlia 46733
Israel
Phone: (972) 9 9524000
Fax: (972) 9 9573732

Europe South

Tour GAN
Cedex 13
92082 Paris La Défense 2
France
Phone: (33) 1 49 06 39 80
Fax: (33) 1 49 06 39 90

APAC Headquarters

1 Kim Seng Promenade
#09-01 East Tower
Great World City
Singapore 237994
Phone: (65) 737-7355
Fax: (65) 737-9077

Australia

Suite 603, 51 Rawson Street
Epping, NSW 2121
Australia
Phone: (61-2) 9869 4088
Fax: (61-2) 9869 4077

China

Shanghai Representative Office
LT Square Building, Suite 3002
500 Chengdu North Road
Shanghai 200003 P.R.C.
Phone: 86-21-6361-2515
Fax: 86-21-6361-2516

Hong Kong

13th Floor, Suites 8-10,
Harbour Centre
25 Harbour Road
Wanchai,
Hong Kong
Phone: (852) 2 827-0181
Fax: (852) 2 827-6488

India

Regional Office - South Asia
Capital Trust House
47 Community Centre
Friends Colony
New Delhi - 110 065
India
Phone: (91-11) 692-4780
Fax: (91-11) 692-4712

Korea

Room No. 1508
Korea Textile Centre Building
944-31, Daechi-3dong
Kangnam P.O. Box 2037
Kangnam-ku
Seoul
Korea
Phone: (82-2) 565-2880
Fax: (82-2) 565-1440

Taiwan Headquarters

Room 2808 International Trade Bldg.
333, Keelung Road, Section I
Taipei,
Taiwan
10548 ROC
Phone: (886-2) 2720-0282
Fax: (886-2) 2757-6760

Japan Headquarters

Shimomoto Bldg.
1-46-3 Haisudai, Shibuya-ku
Tokyo, 151
Japan
Phone: (81-3) 5371 1520
Fax: (81-3) 5371 1501

SOU981214

