



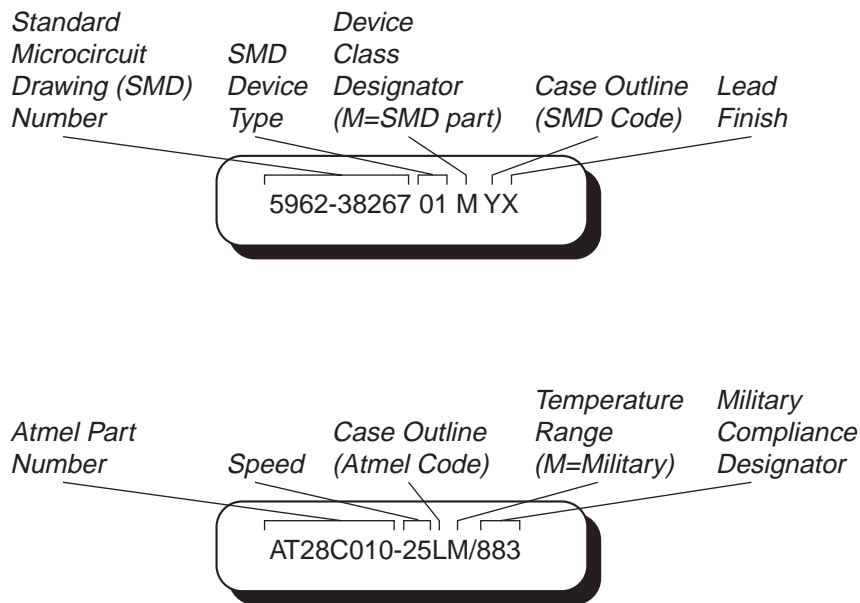
Introduction to the SMD Product Listing

Each Standard Microcircuit Drawing (SMD) part number that Atmel supplies corresponds to an Atmel /883 part number. SMD products are compliant to MIL-STD-883, paragraph 1.2.1 and to the requirements of the applicable standard microcircuit drawing. The tables in this section list the currently approved Atmel SMD parts by Atmel part number (Table 1) and by SMD part number (Table 2). They define and cross reference the Atmel /883 part number with the SMD part number for your ordering convenience.

Figure 1 (below) shows how an Atmel SMD order number defines a part, compared to the components of the Atmel similar part number.

Please note that some SMD part numbers contain the letter "M" between the device type and the case outline designator. The "M" is part of the one part-one number system, set up by DESC. It is a device class designator which indicates the part is an SMD part number as opposed to being a JAN part number.

Figure 1. Components of an SMD number (top) compared to the Atmel similar part number (bottom).



Standard Microcircuit Drawing Product Offering

SMD Products





How to Use the Atmel Part Type Reference Table

The organization of Table 1 enables the purchaser to order a standardized military part by using the Atmel generic part type to locate the correct SMD drawing number. The SMD part number is the order number for SMD devices. The Atmel generic part type, which begins with the prefix "AT," heads Table 1. There are four sections in this table (see sample table below):

SMD Options

The first section lists the SMD options available at Atmel. It includes the industry generic part type, the SMD drawing number, and the SMD device type. The SMD case outline options, the lead finish options, the circuit description, and the access time that correspond to that device type are also included. The tables for the EEPROM in this section

include the end write indicator in the circuit description column and the write mode for the specific device type.

Order Code Cross-Reference

The next section of the table cross-references each optionally complete SMD part number (see ❶ below) with the Atmel similar /883 part number (see ❷ below).

Case Outline Legend

The third section gives the SMD case outline options available for the device.

Lead Finish Legend

The last section lists the SMD lead finish options available for the device.

AT28C64B										
Generic Number		Standard Microcircuit Drawing Number				Description				
SMD Options with Part Description and Specifications	28C64B	Drawing Number	Device Type	Case Outline	Lead Finish	Circuit Description End Write Indicator	Write Mode	Access Time (µs)	Write Speed (ns)	Endurance (Cycles)
		5962-87514	08	X	X, A	8K x 8 E ² PROM Data Polling	Byte/Page	250	10	10K
		5962-87514	09	X	X, A	8K x 8 E ² PROM Data Polling	Byte/Page	200	10	10K
Order Code Cross-Reference	Atmel Case No.	Example: Atmel Order Number				Atmel Similar Part Number				
	1FN41	❶	5962-87514	08	XX	❷	AT28C64B-25DM/883			
Case Outline Legend	Case Outline									
	X	28D6, 28 Lead, 0.600" Wide, Non-Windowed, Ceramic Dual In-Line Package (Cerdip)								
Lead Finish Legend	Lead Finish									
	X	Denotes no preference in lead finish; Finish A will be supplied (per paragraph 30.6.2.7 of ML-1-38535B Appendix A)								
A	Hot Solder Dip									

Note: Finish letter "X" shall not be marked on the microcircuit or its packaging. This designation is provided for use in drawings, part lists, purchase orders, or other documentation where lead finishes A, B or C are all considered acceptable and interchangeable without preference. For Government logistic support, the A lead finish will be acquired and supplied to the end user when the X is included in the PIN for lead finish. If the PIN is not available with the A lead finish, the same PIN will be acquired except with the B or C lead finish designator as determined by availability. Type C terminal material is a fired on metallization used with lead-less chip carriers.

How to Use the Atmel SMD Number Reference Table

Table 2 allows quick reference to the Atmel /883 similar part number when the SMD part number is known by the purchaser. The head for Table 2 is the SMD drawing number (see the example table below). The only section in this table is a cross-reference between the optionally complete SMD drawing number (see ❶ below) and the correspond-

ing Atmel similar /883 part number (see ❷ below). It also includes the circuit description and access time for that part number. The EEPROM tables include the end write indicator (which is in the circuit description column) the write mode, the write speed, and the endurance cycles for the specific part number.

Order Codes		Part Description and Specifications					
5962-87514							
Order Code Cross-Reference	❶ Atmel Order Number	❷ Atmel Similar Part Number	Circuit Description End Write Indicator	Write Mode	Access Time (µs)	Write Spd. (ns)	Endur. (Cycles)
	5962-87514 08 XX	AT28C64B-25DM/883	8K x 8 E ² PROM Data Polling	Byte/Page	250	10	10K
	5962-87514 09 XX	AT28C64B-20DM/883	8K x 8 E ² PROM Data Polling	Byte/Page	200	10	10K
	5962-87514 10 XX	AT28HC64B-12DM/883	8K x 8 E ² PROM Data Polling	Byte/Page	120	2	10K

Table 1. Atmel SMD Part Types, Listed by Atmel Part Number

AT28C64									
Generic Number	Standard Microcircuit Drawing Number				Description				
28C64	Drawing Number	Device Type	Case Outline	Lead Finish	Circuit Description End Write Indicator	Write Mode	Access Time (ns)	Write Speed (ms)	Endurance (Cycles)
	5962-87514	13	X, Y, Z	X, A	8K x 8 EEPROM Rdy/Busy	Byte	350	1	10K
	5962-87514	14	X, Y	X, A	8K x 8 EEPROM Rdy/Busy	Byte	300	1	10K
	5962-87514	15	X, Y, Z	X, A	8K x 8 EEPROM Rdy/Busy	Byte	250	1	10K
	5962-87514	16	X, Y	X, A	8K x 8 EEPROM Rdy/Busy	Byte	200	1	10K
	5962-87514	17	X, Y	X, A	8K x 8 EEPROM Rdy/Busy	Byte	150	1	10K
Atmel Cage No. 1FN41	Example:Atmel Order Number				Atmel Similar Part Number				
	5962-87514 13 XX				AT28C64-35DM/883				
	5962-87514 13 YX				AT28C64-35LM/883				
	5962-87514 13 ZX				AT28C64-35FM/883				
	5962-87514 14 XX				AT28C64-30DM/883				
	5962-87514 14 YX				AT28C64-30LM/883				
	5962-87514 15 XX				AT28C64-25DM/883				
	5962-87514 15 YX				AT28C64-25LM/883				
	5962-87514 15 ZX				AT28C64-25FM/883				
	5962-87514 16 XX				AT28C64-20DM/883				
	5962-87514 16 YX				AT28C64-20LM/883				
	5962-87514 17 XX				AT28C64-15DM/883				
5962-87514 17 YX				AT28C64-15LM/883					
Case Outline									
X	28D6, 28 Lead, 0.600" Wide, Non-Windowed, Ceramic Dual Inline Package (Cerdip)								
Y	32L, 32 Pad, Non-Windowed, Ceramic Leadless Chip Carrier (LCC)								
Z	28F, 28 Lead, Non-Windowed, Ceramic Bottom-Brazed Flat Package (Flatpack)								
Lead Finish									
X	Denotes no preference in lead finish; Finish A will be supplied (per paragraph 30.6.2.7 of MIL-I-38535B Appendix A)								
A	Hot Solder Dip								

Note: New designs to use AT28C256 product SMD 5962-88525.



Table 1. Atmel SMD Part Types, Listed by Atmel Part Number

AT28C64F									
Generic Number	Standard Microcircuit Drawing Number				Description				
28C64F	Drawing Number	Device Type	Case Outline	Lead Finish	Circuit Description End Write Indicator	Write Mode	Access Time (ns)	Write Speed (ms)	Endurance (Cycles)
	5962-87514	28	X, Y, Z	X, A	8K x 8 EEPROM Rdy/Busy	Byte	200	0.2	10K
Atmel Cage No. 1FN41	Example: Atmel Order Number				Atmel Similar Part Number				
	5962-87514 28 XX				AT28C64F-20DM/883				
	5962-87514 28 YX				AT28C64F-20LM/883				
	5962-87514 28 ZX				AT28C64F-20FM/883				
Case Outline									
X	28D6 28 Lead 0.600" Wide Non-Windowed Ceramic Dual Inline Package (Cerdip)								
Y	32L 32 Pad Non-Windowed Ceramic Leadless Chip Carrier (LCC)								
Z	28F 28 Lead Non-Windowed Ceramic Bottom-Brazed Flat Package (Flatpack)								
Lead Finish									
X	Denotes no preference in lead finish; Finish A will be supplied (per paragraph 30.6.2.7 of MIL-I-38535B Appendix A)								
A	Hot Solder Dip								

Note: New designs to use AT28C256 product SMD 5962-88525.

Table 1. Atmel SMD Part Types, Listed by Atmel Part Number

AT28C64X									
Generic Number	Standard Microcircuit Drawing Number				Description				
28C64X	Drawing Number	Device Type	Case Outline	Lead Finish	Circuit Description End Write Indicator	Write Mode	Access Time (ns)	Write Speed (ms)	Endurance (Cycles)
	5962-87514	18	X, Y	X, A	8K x 8 EEPROM Data Polling	Byte	350	1	10K
	5962-87514	19	X, Y	X, A	8K x 8 EEPROM Data Polling	Byte	300	1	10K
	5962-87514	20	X, Y, Z	X, A	8K x 8 EEPROM Data Polling	Byte	250	1	10K
	5962-87514	21	X, Y	X, A	8K x 8 EEPROM Data Polling	Byte	200	1	10K
	5962-87514	22	X, Y	X, A	8K x 8 EEPROM Data Polling	Byte	150	1	10K
Atmel Cage No. 1FN41	Example: Atmel Order Number				Atmel Similar Part Number				
	5962-87514 18 XX				AT28C64X-35DM/883				
	5962-87514 18 YX				AT28C64X-35LM/883				
	5962-87514 19 XX				AT28C64X-30DM/883				
	5962-87514 19 YX				AT28C64X-30LM/883				
	5962-87514 20 XX				AT28C64X-25DM/883				
	5962-87514 20 YX				AT28C64X-25LM/883				
	5962-87514 20 ZX				AT28C64X-25FM/883				
	5962-87514 21 XX				AT28C64X-20DM/883				
	5962-87514 21 YX				AT28C64X-20LM/883				
	5962-87514 22 XX				AT28C64X-15DM/883				
5962-87514 22 YX				AT28C64X-15LM/883					
Case Outline									
X	28D6, 28 Lead, 0.600" Wide, Non-Windowed, Ceramic Dual Inline Package (Cerdip)								
Y	32L, 32 Pad, Non-Windowed, Ceramic Leadless Chip Carrier (LCC)								
Z	28F, 28 Lead, Non-Windowed, Ceramic Bottom-Brazed Flat Package (Flatpack)								
Lead Finish									
X	Denotes no preference in lead finish; Finish A will be supplied (per paragraph 30.6.2.7 of MIL-I-38535B Appendix A)								
A	Hot Solder Dip								

Note: New designs to use AT28C256 product SMD 5962-88525.



Table 1. Atmel SMD Part Types, Listed by Atmel Part Number

AT28C64B									
Generic Number	Standard Microcircuit Drawing Number				Description				
28C64B	Drawing Number	Device Type	Case Outline	Lead Finish	Circuit Description End Write Indicator	Write Mode	Access Time (ns)	Write Speed (ms)	Endurance (Cycles)
	5962-87514	08	X	X, A	8K x 8 EEPROM Data Polling	Byte/ Page	250	2	10K
	5962-87514	09	X	X, A	8K x 8 EEPROM Data Polling	Byte/ Page	200	2	10K
Atmel Cage No. 1FN41	Example: Atmel Order Number				Atmel Similar Part Number				
	5962-87514 08 XX				AT28C64B-25DM/883				
	5962-87514 09 XX				AT28C64B-20DM/883				
Case Outline									
X	28D6, 28 Lead, 0.600" Wide, Non-Windowed, Ceramic Dual Inline Package (Cerdip)								
Lead Finish									
X	Denotes no preference in lead finish; Finish A will be supplied (per paragraph 30.6.2.7 of MIL-I-38535B Appendix A)								
A	Hot Solder Dip								

Note: New designs to use AT28C256 product SMD 5962-88525.

AT28HC64B									
Generic Number	Standard Microcircuit Drawing Number				Description				
28HC64B	Drawing Number	Device Type	Case Outline	Lead Finish	Circuit Description End Write Indicator	Write Mode	Access Time (ns)	Write Speed (ms)	Endurance (Cycles)
	5962-87514	10	X	X, A	8K x 8 EEPROM Data Polling	Byte/ Page	120	2	10K
	5962-87514	11	X	X, A	8K x 8 EEPROM Data Polling	Byte/ Page	90	2	10K
	5962-87514	12	X	X, A	8K x 8 EEPROM Data Polling	Byte/ Page	70	2	10K
Atmel Cage No. 1FN41	Example: Atmel Order Number				Atmel Similar Part Number				
	5962-87514 10 XX				AT28HC64B-12DM/883				
	5962-87514 11 XX				AT28HC64B-90DM/883				
	5962-87514 12 XX				AT28HC64B-70DM/883				
Case Outline									
X	28D6, 28 Lead, 0.600" Wide, Non-Windowed, Ceramic Dual Inline Package (Cerdip)								
Lead Finish									
X	Denotes no preference in lead finish; Finish A will be supplied (per paragraph 30.6.2.7 of MIL-I-38535B Appendix A)								
A	Hot Solder Dip								

Note: New designs to use AT28C256 product SMD 5962-88634.

Table 1. Atmel SMD Part Types, Listed by Atmel Part Number

AT28C256									
Generic Number	Standard Microcircuit Drawing Number				Description				
28C256	Drawing Number	Device Type	Case Outline	Lead Finish	Circuit Description End Write Indicator	Write Mode	Access Time (ns)	Write Speed (ms)	Endurance (Cycles)
	5962-88525	01	U, X, Y, Z	X, A	32K x 8 EEPROM Data Polling	Byte/ Page	350	10	10K
	5962-88525	02	U, X, Y, Z	X, A	32K x 8 EEPROM Data Polling	Byte/ Page	300	10	10K
	5962-88525	03	U, X, Y, Z	X, A	32K x 8 EEPROM Data Polling	Byte/ Page	250	10	10K
	5962-88525	04	U, X, Y, Z	X, A	32K x 8 EEPROM Data Polling	Byte/ Page	200	10	10K
	5962-88525	06	U, X, Y, Z	X, A	32K x 8 EEPROM Data Polling	Byte/ Page	150	10	10K
	5962-88525	09 ⁽¹⁾	U, X, Y, Z	X, A	32K x 8 EEPROM Data Polling	Byte/ Page	350	10	10K
	5962-88525	10 ⁽¹⁾	U, X, Y, Z	X, A	32K x 8 EEPROM Data Polling	Byte/ Page	300	10	10K
	5962-88525	11 ⁽¹⁾	U, X, Y, Z	X, A	32K x 8 EEPROM Data Polling	Byte/ Page	250	10	10K
	5962-88525	12 ⁽¹⁾	U, X, Y, Z	X, A	32K x 8 EEPROM Data Polling	Byte/ Page	200	10	10K
	5962-88525	14 ⁽¹⁾	U, X, Y, Z	X, A	32K x 8 EEPROM Data Polling	Byte/ Page	150	10	10K
Example: Atmel Order Number					Atmel Similar Part Number				
5962-88525 01 UX					AT28C256-35UM/883				
5962-88525 01 XX					AT28C256-35DM/883				
5962-88525 01 YX					AT28C256-35LM/883				
5962-88525 01 ZX					AT28C256-35FM/883				
5962-88525 02 UX					AT28C256-30UM/883				
5962-88525 02 XX					AT28C256-30DM/883				
5962-88525 02 YX					AT28C256-30LM/883				
5962-88525 02 ZX					AT28C256-30FM/883				
5962-88525 03 UX					AT28C256-25UM/883				
5962-88525 03 XX					AT28C256-25DM/883				
5962-88525 03 YX					AT28C256-25LM/883				
5962-88525 03 ZX					AT28C256-25FM/883				
5962-88525 04 UX					AT28C256-20UM/883				
5962-88525 04 XX					AT28C256-20DM/883				
5962-88525 04 YX					AT28C256-20LM/883				
5962-88525 04 ZX					AT28C256-20FM/883				
Atmel Cage No. 1FN41									



Table 1. Atmel SMD Part Types, Listed by Atmel Part Number

AT28C256 (Continued)		
	Example: Atmel Order Number	Atmel Similar Part Number
	5962-88525 06 UX	AT28C256-15UM/883
	5962-88525 06 XX	AT28C256-15DM/883
	5962-88525 06 YX	AT28C256-15LM/883
	5962-88525 06 ZX	AT28C256-15FM/883
	5962-88525 09 UX	AT28C256-35UM/883
	5962-88525 09 XX	AT28C256-35DM/883
	5962-88525 09 YX	AT28C256-35LM/883
	5962-88525 09 ZX	AT28C256-35FM/883
	5962-88525 10 UX	AT28C256-30UM/883
	5962-88525 10 XX	AT28C256-30DM/883
	5962-88525 10 YX	AT28C256-30LM/883
	5962-88525 10 ZX	AT28C256-30FM/883
	5962-88525 11 UX	AT28C256-25UM/883
	5962-88525 11 XX	AT28C256-25DM/883
	5962-88525 11 YX	AT28C256-25LM/883
	5962-88525 11 ZX	AT28C256-25FM/883
	5962-88525 12 UX	AT28C256-20UM/883
	5962-88525 12 XX	AT28C256-20DM/883
	5962-88525 12 YX	AT28C256-20LM/883
	5962-88525 12 ZX	AT28C256-20FM/883
	5962-88525 14 UX	AT28C256-15UM/883
	5962-88525 14 XX	AT28C256-15DM/883
	5962-88525 14 YX	AT28C256-15LM/883
	5962-88525 14 ZX	AT28C256-15FM/883
Atmel Cage No. 1FN41		
Case Outline		
U	28U, 28 Pin, Ceramic Pin Grid Array (PGA)	
X	28D6, 28 Lead, 0.600" Wide, Non-Windowed, Ceramic Dual Inline Package (Cerdip)	
Y	32L, 32 Pad, Non-Windowed, Ceramic Leadless Chip Carrier (LCC)	
Z	28F, 28 Lead, Non-Windowed, Ceramic Bottom-Brazed Flat Package (Flatpack)	
Lead Finish		
X	Denotes no preference in lead finish; Finish A will be supplied (per paragraph 30.6.2.7 of MIL-I-38535B Appendix A)	
A	Hot Solder Dip	

Note: 1. SMD specifies Software Data Protection feature for device type, although Atmel product supplied to every device type on the SMD is 100% tested for this feature.

Table 1. Atmel SMD Part Types, Listed by Atmel Part Number

AT28C256E									
Generic Number	Standard Microcircuit Drawing Number				Description				
28C256E	Drawing Number	Device Type	Case Outline	Lead Finish	Circuit Description End Write Indicator	Write Mode	Access Time (ns)	Write Speed (ms)	Endurance (Cycles)
	5962-88525	05	U, X, Y, Z	X, A	32K x 8 EEPROM Data Polling	Byte Page	250	10	100K
	5962-88525	08	U, X, Y, Z	X, A	32K x 8 EEPROM Data Polling	Byte/ Page	150	10	100K
	5962-88525	13 ⁽¹⁾	U, X, Y, Z	X, A	32K x 8 EEPROM Data Polling	Byte/ Page	250	10	100K
	5962-88525	16 ⁽¹⁾	U, X, Y, Z	X, A	32K x 8 EEPROM Data Polling	Byte/ Page	150	10	100K
Atmel Cage No. 1FN41	Example: Atmel Order Number				Similar Part Number				
	5962-88525 05 UX				AT28C256E-25UM/883				
	5962-88525 05 XX				AT28C256E-25DM/883				
	5962-88525 05 YX				AT28C256E-25LM/883				
	5962-88525 05 ZX				AT28C256E-25FM/883				
	5962-88525 08 UX				AT28C256E-15UM/883				
	5962-88525 08 XX				AT28C256E-15DM/883				
	5962-88525 08 YX				AT28C256E-15LM/883				
	5962-88525 08 ZX				AT28C256E-15FM/883				
	5962-88525 13 UX				AT28C256E-25UM/883				
	5962-88525 13 XX				AT28C256E-25DM/883				
	5962-88525 13 YX				AT28C256E-25LM/883				
	5962-88525 13 ZX				AT28C256E-25FM/883				
	5962-88525 16 UX				AT28C256E-15UM/883				
	5962-88525 16 XX				AT28C256E-15DM/883				
	5962-88525 16 YX				AT28C256E-15LM/883				
5962-88525 16 ZX				AT28C256E-15FM/883					
Case Outline									
U	28U, 28 Pin, Ceramic Pin Grid Array (PGA)								
X	28D6, 28 Lead, 0.600" Wide, Non-Windowed, Ceramic Dual Inline Package (Cerdip)								
Y	32L, 32 Pad, Non-Windowed, Ceramic Leadless Chip Carrier (LCC)								
Z	28F, 28 Lead, Non-Windowed, Ceramic Bottom-Brazed Flat Package (Flatpack)								
Lead Finish									
X	Denotes no preference in lead finish; Finish A will be supplied (per paragraph 30.6.2.7 of MIL-I-38535B Appendix A)								
A	Hot Solder Dip								

Note: 1. SMD specifies Software Data Protection feature for device type, although Atmel product supplied to every device type on the SMD is 100% tested for this feature.



Table 1. Atmel SMD Part Types, Listed by Atmel Part Number

AT28C256F									
Generic Number	Standard Microcircuit Drawing Number				Description				
28C256F	Drawing Number	Device Type	Case Outline	Lead Finish	Circuit Description End Write Indicator	Write Mode	Access Time (ns)	Write Speed (ms)	Endurance (Cycles)
	5962-88525	07	U, X, Y, Z	X, A	32K x 8 EEPROM Data Polling	Byte/ Page	150	3	10K
	5962-88525	15 ⁽¹⁾	U, X, Y, Z	X, A	32K x 8 EEPROM Data Polling	Byte/ Page	150	3	10K
Atmel Cage No. 1FN41	Example: Atmel Order Number				Atmel Similar Part Number				
	5962-88525 07 UX				AT28C256F-15UM/883				
	5962-88525 07 XX				AT28C256F-15DM/883				
	5962-88525 07 YX				AT28C256F-15LM/883				
	5962-88525 07 ZX				AT28C256F-15FM/883				
	5962-88525 15 UX				AT28C256F-15UM/883				
	5962-88525 15 XX				AT28C256F-15DM/883				
	5962-88525 15 YX				AT28C256F-15LM/883				
5962-88525 15 ZX				AT28C256F-15FM/883					
Case Outline									
U	28U, 28 Pin, Ceramic Pin Grid Array (PGA)								
X	28D6, 28 Lead, 0.600" Wide, Non-Windowed, Ceramic Dual Inline Package (Cerdip)								
Y	32L, 32 Pad, Non-Windowed, Ceramic Leadless Chip Carrier (LCC)								
Z	28F, 28 Lead, Non-Windowed, Ceramic Bottom-Brazed Flat Package (Flatpack)								
Lead Finish									
X	Denotes no preference in lead finish; Finish A will be supplied (per paragraph 30.6.2.7 of MIL-I-38535B Appendix A)								
A	Hot Solder Dip								

Note: 1. SMD specifies Software Data Protection feature for device type, although Atmel product supplied to every device type on the SMD is 100% tested for this feature.

Table 1. Atmel SMD Part Types, Listed by Atmel Part Number

AT28HC256									
Generic Number	Standard Microcircuit Drawing Number				Description				
28HC256	Drawing Number	Device Type	Case Outline	Lead Finish	Circuit Description End Write Indicator	Write Mode	Access Time (ns)	Write Speed (ms)	Endurance (Cycles)
	5962-88634	01	U, X, Y, Z	X, A	32K x 8 EEPROM Data Polling	Byte/ Page	120	10	10K
	5962-88634	03	U, X, Y, Z	X, A	32K x 8 EEPROM Data Polling	Byte/ Page	90	10	10K
Atmel Cage No. 1FN41	Example: Atmel Order Number				Similar Part Number				
	5962-88634 01 UX				AT28HC256-12UM/883				
	5962-88634 01 XX				AT28HC256-12DM/883				
	5962-88634 01 YX				AT28HC256-12LM/883				
	5962-88634 01 ZX				AT28HC256-12FM/883				
	5962-88634 03 UX				AT28HC256-90UM/883				
	5962-88634 03 XX				AT28HC256-90DM/883				
	5962-88634 03 YX				AT28HC256-90LM/883				
5962-88634 03 ZX				AT28HC256-90FM/883					
Case Outline									
U	28U, 28 Pin, Ceramic Pin Grid Array (PGA)								
X	28D6, 28 Lead, 0.600" Wide, Non-Windowed, Ceramic Dual Inline Package (Cerdip)								
Y	32L, 32 Pad, Non-Windowed, Ceramic Leadless Chip Carrier (LCC)								
Z	28F, 28 Lead, Non-Windowed, Ceramic Bottom-Brazed Flat Package (Flatpack)								
Lead Finish									
X	Denotes no preference in lead finish; Finish A will be supplied (per paragraph 30.6.2.7 of MIL-I-38535B Appendix A)								
A	Hot Solder Dip								



Table 1. Atmel SMD Part Types, Listed by Atmel Part Number

AT28HC256F									
Generic Number	Standard Microcircuit Drawing Number				Description				
28HC256F	Drawing Number	Device Type	Case Outline	Lead Finish	Circuit Description End Write Indicator	Write Mode	Access Time (ns)	Write Speed (ms)	Endurance (Cycles)
	5962-88634	02	U, X, Y, Z	X, A	32K x 8 EEPROM Data Polling	Byte/ Page	120	3	10K
	5962-88634	04	U, X, Y, Z	X, A	32K x 8 EEPROM Data Polling	Byte/ Page	90	3	10K
Atmel Cage No. 1FN41	Example: Atmel Order Number				Atmel Similar Part Number				
	5962-88634 02 UX				AT28HC256F-12UM/883				
	5962-88634 02 XX				AT28HC256F-12DM/883				
	5962-88634 02 YX				AT28HC256F-12LM/883				
	5962-88634 02 ZX				AT28HC256F-12FM/883				
	5962-88634 04 UX				AT28HC256F-90UM/883				
	5962-88634 04 XX				AT28HC256F-90DM/883				
	5962-88634 04 YX				AT28HC256F-90LM/883				
5962-88634 04 ZX				AT28HC256F-90FM/883					
Case Outline									
U	28U, 28 Pin, Ceramic Pin Grid Array (PGA)								
X	28D6, 28 Lead, 0.600" Wide, Non-Windowed, Ceramic Dual Inline Package (Cerdip)								
Y	32L, 32 Pad, Non-Windowed, Ceramic Leadless Chip Carrier (LCC)								
Z	28F, 28 Lead, Non-Windowed, Ceramic Bottom-Brazed Flat Package (Flatpack)								
Lead Finish									
X	Denotes no preference in lead finish; Finish A will be supplied (per paragraph 30.6.2.7 of MIL-I-38535B Appendix A)								
A	Hot Solder Dip								

Table 1. Atmel SMD Part Types, Listed by Atmel Part Number

AT28C010									
Generic Number	Standard Microcircuit Drawing Number				Description				
28C010	Drawing Number	Device Type	Case Outline	Lead Finish	Circuit Description End Write Indicator	Write Mode	Access Time (ns)	Write Spd (ms)	Endurance (Cycles)
	5962-38267	01	T, U, X, Y, Z	X, A	128K x 8, 1M bit EEPROM $\overline{\text{Data}}$ Polling	Byte/Page	250	10	10K
	5962-38267	03	T, U, X, Y, Z	X, A	128K x 8, 1M bit EEPROM $\overline{\text{Data}}$ Polling	Byte/Page	200	10	10K
	5962-38267	05	T, U, X, Y, Z	X, A	128K x 8, 1M bit EEPROM $\overline{\text{Data}}$ Polling	Byte/Page	150	10	10K
	5962-38267	07	U, X, Y, Z	X, A	128K x 8, 1M bit EEPROM $\overline{\text{Data}}$ Polling	Byte/Page	120	10	10K
Atmel Cage No. 1FN41	Example: Atmel Order Number				Atmel Similar Part Number				
	5962-38267 01M TX				AT28C010-25UM/883				
	5962-38267 01M UX				AT28C010-25EM/883				
	5962-38267 01M XX				AT28C010-25DM/883				
	5962-38267 01M YX				AT28C010-25LM/883				
	5962-38267 01M ZX				AT28C010-25FM/883				
	5962-38267 03M TX				AT28C010-20UM/883				
	5962-38267 03M UX				AT28C010-20EM/883				
	5962-38267 03M XX				AT28C010-20DM/883				
	5962-38267 03M YX				AT28C010-20LM/883				
	5962-38267 03M ZX				AT28C010-20FM/883				
	5962-38267 05M TX				AT28C010-15UM/883				
	5962-38267 05M UX				AT28C010-15EM/883				
	5962-38267 05M XX				AT28C010-15DM/883				
	5962-38267 05M YX				AT28C010-15LM/883				
	5962-38267 05M ZX				AT28C010-15FM/883				
	5962-38267 07M UX				AT28C010-12EM/883				
	5962-38267 07M XX				AT28C010-12DM/883				
5962-38267 07M YX				AT28C010-12LM/883					
5962-38267 07M ZX				AT28C010-12FM/883					
Case Outline									
T	30U, 30 Pin, Ceramic Pin Grid Array (PGA)								
U	32L, 32 Pad, Non-Windowed, Ceramic Leadless Chip Carrier (LCC)								
X	32D6, 32 Lead, 0.600" Wide, Non-Windowed, Ceramic Dual Inline Package (Cerdip)								
Y	44L, 44 Pad, Non-Windowed, Ceramic Leadless Chip Carrier (LCC)								
Z	32F, 32 Lead, Non-Windowed, Ceramic Bottom-Brazed Flat Package (Flatpack)								
Lead Finish									
X	Denotes no preference in lead finish; Finish A will be supplied (per paragraph 30.6.2.7 of MIL-I-38535B Appendix A)								
A	Hot Solder Dip								



Table 2. Atmel SMD Part Types, Listed by SMD Number

5962-38267						
Atmel Order Number	Atmel Similar Part Number	Circuit Description End Write Indicator	Write Mode	Access Time (ns)	Write Spd. (ms)	Endur. (Cycles)
5962-38267 01M XX	AT28C010-25DM/883	128K x 8, 1M bit EEPROM Data Polling	Byte/ Page	250	10	10K
5962-38267 01M YX	AT28C010-25LM/883	128K x 8, 1M bit EEPROM Data Polling	Byte/ Page	250	10	10K
5962-38267 01M ZX	AT28C010-25FM/883	128K x 8, 1M bit EEPROM Data Polling	Byte/ Page	250	10	10K
5962-38267 03M XX	AT28C010-20DM/883	128K x 8, 1M bit EEPROM Data Polling	Byte/ Page	200	10	10K
5962-38267 03M YX	AT28C010-20LM/883	128K x 8, 1M bit EEPROM Data Polling	Byte/ Page	200	10	10K
5962-38267 03M ZX	AT28C010-20FM/883	128K x 8, 1M bit EEPROM Data Polling	Byte/ Page	200	10	10K
5962-38267 05M XX	AT28C010-15DM/883	128K x 8, 1M bit EEPROM Data Polling	Byte/ Page	150	10	10K
5962-38267 05M YX	AT28C010-15LM/883	128K x 8, 1M bit EEPROM Data Polling	Byte/ Page	150	10	10K
5962-38267 05M ZX	AT28C010-15FM/883	128K x 8, 1M bit EEPROM Data Polling	Byte/ Page	150	10	10K
5962-38267 07M XX	AT28C010-12DM/883	128K x 8, 1M bit EEPROM Data Polling	Byte/ Page	120	10	10K
5962-38267 07M YX	AT28C010-12LM/883	128K x 8, 1M bit EEPROM Data Polling	Byte/ Page	120	10	10K
5962-38267 07M ZX	AT28C010-12FM/883	128K x 8, 1M bit EEPROM Data Polling	Byte/ Page	120	10	10K

Table 2. Atmel SMD Part Types, Listed by SMD Number

5962-87514						
Atmel Order Number	Atmel Similar Part Number	Circuit Description End Write Indicator	Write Mode	Access Time (ns)	Write Spd. (ms)	Endur. (Cycles)
5962-87514 08 XX	AT28C64B-25DM/883	8K x 8 EEPROM Data Polling	Byte/ Page	250	10	10K
5962-87514 09 XX	AT28C64B-20DM/883	8K x 8 EEPROM Data Polling	Byte/ Page	200	10	10K
5962-87514 10 XX	AT28HC64B-12DM/883	8K x 8 EEPROM Data Polling	Byte/ Page	120	2	10K
5962-87514 11 XX	AT28HC64B-90DM/883	8K x 8 EEPROM Data Polling	Byte/ Page	90	2	10K
5962-87514 12 XX	AT28HC64B-70DM/883	8K x 8 EEPROM Data Polling	Byte/ Page	70	2	10K
5962-87514 13 XX	AT28C64-35DM/883	8K x 8 EEPROM Rdy/Busy	Byte	350	1	10K
5962-87514 13 YX	AT28C64-35LM/883	8K x 8 EEPROM Rdy/Busy	Byte	350	1	10K
5962-87514 13 ZX	AT28C64-35FM/883	8K x 8 EEPROM Rdy/Busy	Byte	350	1	10K
5962-87514 14 XX	AT28C64-30DM/883	8K x 8 EEPROM Rdy/Busy	Byte	300	1	10K
5962-87514 14 YX	AT28C64-30LM/883	8K x 8 EEPROM Rdy/Busy	Byte	300	1	10K
5962-87514 15 XX	AT28C64-25DM/883	8K x 8 EEPROM Rdy/Busy	Byte	250	1	10K
5962-87514 15 YX	AT28C64-25LM/883	8K x 8 EEPROM Rdy/Busy	Byte	250	1	10K
5962-87514 15 ZX	AT28C64-25FM/883	8K x 8 EEPROM Rdy/Busy	Byte	250	1	10K
5962-87514 16 XX	AT28C64-20DM/883	8K x 8 EEPROM Rdy/Busy	Byte	200	1	10K
5962-87514 16 YX	AT28C64-20LM/883	8K x 8 EEPROM Rdy/Busy	Byte	200	1	10K
5962-87514 17 XX	AT28C64-15DM/883	8K x 8 EEPROM Rdy/Busy	Byte	150	1	10K
5962-87514 17 YX	AT28C64-15LM/883	8K x 8 EEPROM Rdy/Busy	Byte	150	1	10K
5962-87514 18 XX	AT28C64X-35DM/883	8K x 8 EEPROM Data Polling	Byte	350	1	10K
5962-87514 18 YX	AT28C64X-35LM/883	8K x 8 EEPROM Data Polling	Byte	350	1	10K
5962-87514 19 XX	AT28C64X-30DM/883	8K x 8 EEPROM Data Polling	Byte	300	1	10K



Table 2. Atmel SMD Part Types, Listed by SMD Number

5962-87514 (Continued)						
Atmel Order Number	Atmel Similar Part Number	Circuit Description End Write Indicator	Write Mode	Access Time (ns)	Write Spd. (ms)	Endur. (Cycles)
5962-87514 19 YX	AT28C64X-30LM/883	8K x 8 EEPROM Data Polling	Byte	300	1	10K
5962-87514 20 XX	AT28C64X-25DM/883	8K x 8 EEPROM Data Polling	Byte	250	1	10K
5962-87514 20 YX	AT28C64X-25LM/883	8K x 8 EEPROM Data Polling	Byte	250	1	10K
5962-87514 20 ZX	AT28C64X-25FM/883	8K x 8 EEPROM Data Polling	Byte	250	1	10K
5962-87514 21 XX	AT28C64X-20DM/883	8K x 8 EEPROM Data Polling	Byte	200	1	10K
5962-87514 21 YX	AT28C64X-20LM/883	8K x 8 EEPROM Data Polling	Byte	200	1	10K
5962-87514 22 XX	AT28C64X-15DM/883	8K x 8 EEPROM Data Polling	Byte	150	1	10K
5962-87514 22 YX	AT28C64X-15LM/883	8K x 8 EEPROM Data Polling	Byte	150	1	10K
5962-87514 28 XX	AT28C64F-20DM/883	8K x 8 EEPROM Data Polling	Byte	200	0.2	10K
5962-87514 28 YX	AT28C64X-20LM/883	8K x 8 EEPROM Data Polling	Byte	200	0.2	10K
5962-87514 28 ZX	AT28C64X-20FM/883	8K x 8 EEPROM Data Polling	Byte	200	0.2	10K

Table 2. Atmel SMD Part Types, Listed by SMD Number

5962-88525						
Atmel Order Number	Atmel Similar Part Number	Circuit Description End Write Indicator	Write Mode	Access Time (ns)	Write Spd. (ms)	Endur. (Cycles)
5962-88525 01 UX	AT28C256-35UM/883	32K x 8 EEPROM Data Polling	Byte/ Page	350	10	10K
5962-88525 01 XX	AT28C256-35DM/883	32K x 8 EEPROM Data Polling	Byte/ Page	350	10	10K
5962-88525 01 YX	AT28C256-35LM/883	32K x 8 EEPROM Data Polling	Byte/ Page	350	10	10K
5962-88525 01 ZX	AT28C256-35FM/883	32K x 8 EEPROM Data Polling	Byte/ Page	350	10	10K
5962-88525 02 UX	AT28C256-30UM/883	32K x 8 EEPROM Data Polling	Byte/ Page	300	10	10K
5962-88525 02 XX	AT28C256-30DM/883	32K x 8 EEPROM Data Polling	Byte/ Page	300	10	10K
5962-88525 02 YX	AT28C256-30LM/883	32K x 8 EEPROM Data Polling	Byte/ Page	300	10	10K
5962-88525 02 ZX	AT28C256-30FM/883	32K x 8 EEPROM Data Polling	Byte/ Page	300	10	10K
5962-88525 03 UX	AT28C256-25UM/883	32K x 8 EEPROM Data Polling	Byte/ Page	250	10	10K
5962-88525 03 XX	AT28C256-25DM/883	32K x 8 EEPROM Data Polling	Byte/ Page	250	10	10K
5962-88525 03 YX	AT28C256-25LM/883	32K x 8 EEPROM Data Polling	Byte/ Page	250	10	10K
5962-88525 03 ZX	AT28C256-25FM/883	32K x 8 EEPROM Data Polling	Byte/ Page	250	10	10K
5962-88525 04 UX	AT28C256-20UM/883	32K x 8 EEPROM Data Polling	Byte/ Page	200	10	10K
5962-88525 04 XX	AT28C256-20DM/883	32K x 8 EEPROM Data Polling	Byte/ Page	200	10	10K
5962-88525 04 YX	AT28C256-20LM/883	32K x 8 EEPROM Data Polling	Byte/ Page	200	10	10K
5962-88525 04 ZX	AT28C256-20FM/883	32K x 8 EEPROM Data Polling	Byte/ Page	200	10	10K
5962-88525 05 UX	AT28C256E-25UM/883	32K x 8 EEPROM Data Polling	Byte/ Page	250	10	100K
5962-88525 05 XX	AT28C256E-25DM/883	32K x 8 EEPROM Data Polling	Byte/ Page	250	10	100K
5962-88525 05 YX	AT28C256E-25LM/883	32K x 8 EEPROM Data Polling	Byte/ Page	250	10	100K
5962-88525 05 ZX	AT28C256E-25FM/883	32K x 8 EEPROM Data Polling	Byte/ Page	250	10	100K



Table 2. Atmel SMD Part Types, Listed by SMD Number

5962-88525 (Continued)						
Atmel Order Number	Atmel Similar Part Number	Circuit Description End Write Indicator	Write Mode	Access Time (ns)	Write Spd. (ms)	Endur. (Cycles)
5962-88525 06 UX	AT28C256-15UM/883	32K x 8 EEPROM Data Polling	Byte/ Page	150	10	10K
5962-88525 06 XX	AT28C256-15DM/883	32K x 8 EEPROM Data Polling	Byte/ Page	150	10	10K
5962-88525 06 YX	AT28C256-15LM/883	32K x 8 EEPROM Data Polling	Byte/ Page	150	10	10K
5962-88525 06 ZX	AT28C256-15FM/883	32K x 8 EEPROM Data Polling	Byte/ Page	150	10	10K
5962-88525 07 UX	AT28C256F-15UM/883	32K x 8 EEPROM Data Polling	Byte/ Page	150	3	10K
5962-88525 07 XX	AT28C256F-15DM/883	32K x 8 EEPROM Data Polling	Byte/ Page	150	3	10K
5962-88525 07 YX	AT28C256F-15LM/883	32K x 8 EEPROM Data Polling	Byte/ Page	150	3	10K
5962-88525 07 ZX	AT28C256F-15FM/883	32K x 8 EEPROM Data Polling	Byte/ Page	150	3	10K
5962-88525 08 UX	AT28C256E-15UM/883	32K x 8 EEPROM Data Polling	Byte/ Page	150	10	100K
5962-88525 08 XX	AT28C256E-15DM/883	32K x 8 EEPROM Data Polling	Byte/ Page	150	10	100K
5962-88525 08 YX	AT28C256E-15LM/883	32K x 8 EEPROM Data Polling	Byte/ Page	150	10	100K
5962-88525 08 ZX	AT28C256E-15FM/883	32K x 8 EEPROM Data Polling	Byte/ Page	150	10	100K
5962-88525 09 UX ⁽¹⁾	AT28C256-35UM/883	32K x 8 EEPROM Data Polling	Byte/ Page	350	10	10K
5962-88525 09 XX ⁽¹⁾	AT28C256-35DM/883	32K x 8 EEPROM Data Polling	Byte/ Page	350	10	10K
5962-88525 09 YX ⁽¹⁾	AT28C256-35LM/883	32K x 8 EEPROM Data Polling	Byte/ Page	350	10	10K
5962-88525 09 ZX ⁽¹⁾	AT28C256-35FM/883	32K x 8 EEPROM Data Polling	Byte/ Page	350	10	10K
5962-88525 10 UX ⁽¹⁾	AT28C256-30UM/883	32K x 8 EEPROM Data Polling	Byte/ Page	300	10	10K
5962-88525 10 XX ⁽¹⁾	AT28C256-30DM/883	32K x 8 EEPROM Data Polling	Byte/ Page	300	10	10K
5962-88525 10 Y ¹⁾	AT28C256-30LM/883	32K x 8 EEPROM Data Polling	Byte/ Page	300	10	10K
5962-88525 10 ZX ⁽¹⁾	AT28C256-30FM/883	32K x 8 EEPROM Data Polling	Byte/ Page	300	10	10K
5962-88525 11 UX ⁽¹⁾	AT28C256-25UM/883	32K x 8 EEPROM Data Polling	Byte/ Page	250	10	10K

Table 2. Atmel SMD Part Types, Listed by SMD Number

5962-88525 (Continued)						
Atmel Order Number	Atmel Similar Part Number	Circuit Description End Write Indicator	Write Mode	Access Time (ns)	Write Spd. (ms)	Endur. (Cycles)
5962-88525 11 X ⁽¹⁾	AT28C256-25DM/883	32K x 8 EEPROM Data Polling	Byte/ Page	250	10	10K
5962-88525 11 YX ⁽¹⁾	AT28C256-25LM/883	32K x 8 EEPROM Data Polling	Byte/ Page	250	10	10K
5962-88525 11 ZX ⁽¹⁾	AT28C256-25FM/883	32K x 8 EEPROM Data Polling	Byte/ Page	250	10	10K
5962-88525 12 UX ⁽¹⁾	AT28C256-20UM/883	32K x 8 EEPROM Data Polling	Byte/ Page	200	10	10K
5962-88525 12 XX ⁽¹⁾	AT28C256-20DM/883	32K x 8 EEPROM Data Polling	Byte/ Page	200	10	10K
5962-88525 12 YX ⁽¹⁾	AT28C256-20LM/883	32K x 8 EEPROM Data Polling	Byte/ Page	200	10	10K
5962-88525 12 ZX ⁽¹⁾	AT28C256-20FM/883	32K x 8 EEPROM Data Polling	Byte/ Page	200	10	10K
5962-88525 13 UX ⁽¹⁾	AT28C256E-25UM/883	32K x 8 EEPROM Data Polling	Byte/ Page	250	10	100K
5962-88525 13 XX ⁽¹⁾	AT28C256E-25DM/883	32K x 8 EEPROM Data Polling	Byte/ Page	250	10	100K
5962-88525 13 YX ⁽¹⁾	AT28C256E-25LM/883	32K x 8 EEPROM Data Polling	Byte/ Page	250	10	100K
5962-88525 13 ZX ⁽¹⁾	AT28C256E-25FM/883	32K x 8 EEPROM Data Polling	Byte/ Page	250	10	100K
5962-88525 14 UX ⁽¹⁾	AT28C256-15UM/883	32K x 8 EEPROM Data Polling	Byte/ Page	150	10	10K
5962-88525 14 XX ⁽¹⁾	AT28C256-15DM/883	32K x 8 EEPROM Data Polling	Byte/ Page	150	10	10K
5962-88525 14 YX ⁽¹⁾	AT28C256-15LM/883	32K x 8 EEPROM Data Polling	Byte/ Page	150	10	10K
5962-88525 14 ZX ⁽¹⁾	AT28C256-15FM/883	32K x 8 EEPROM Data Polling	Byte/ Page	150	10	10K
5962-88525 15 UX ⁽¹⁾	AT28C256F-15UM/883	32K x 8 EEPROM Data Polling	Byte/ Page	150	3	10K
5962-88525 15 XX ⁽¹⁾	AT28C256F-15DM/883	32K x 8 EEPROM Data Polling	Byte/ Page	150	3	10K
5962-88525 15 YX ⁽¹⁾	AT28C256F-15LM/883	32K x 8 EEPROM Data Polling	Byte/ Page	150	3	10K
5962-88525 15 ZX ⁽¹⁾	AT28C256F-15FM/883	32K x 8 EEPROM Data Polling	Byte/ Page	150	3	10K
5962-88525 16 UX ⁽¹⁾	AT28C256E-15UM/883	32K x 8 EEPROM Data Polling	Byte/ Page	150	10	100K



Table 2. Atmel SMD Part Types, Listed by SMD Number

5962-88525 (Continued)						
Atmel Order Number	Atmel Similar Part Number	Circuit Description End Write Indicator	Write Mode	Access Time (ns)	Write Spd. (ms)	Endur. (Cycles)
5962-88525 16 XX ⁽¹⁾	AT28C256E-15DM/883	32K x 8 EEPROM Data Polling	Byte/ Page	150	10	100K
5962-88525 16 YX ⁽¹⁾	AT28C256E-15LM/883	32K x 8 EEPROM Data Polling	Byte/ Page	150	10	100K
5962-88525 16 ZX ⁽¹⁾	AT28C256E-15FM/883	32K x 8 EEPROM Data Polling	Byte/ Page	150	10	100K

Table 2. Atmel SMD Part Types, Listed by SMD Number

5962-88634						
Atmel Order Number	Atmel Similar Part Number	Circuit Description End Write Indicator	Write Mode	Access Time (ns)	Write Spd. (ms)	Endur. (Cycles)
5962-88634 01 UX	AT28HC256-12UM/883	32K x 8 EEPROM Data Polling	Byte/ Page	120	10	10K
5962-88634 01 XX	AT28HC256-12DM/883	32K x 8 EEPROM Data Polling	Byte/ Page	120	10	10K
5962-88634 01 YX	AT28HC256-12LM/883	32K x 8 EEPROM Data Polling	Byte/ Page	120	10	10K
5962-88634 01 ZX	AT28HC256-12FM/883	32K x 8 EEPROM Data Polling	Byte/ Page	120	10	10K
5962-88634 02 UX	AT28HC256F-12UM/883	32K x 8 EEPROM Data Polling	Byte/ Page	120	3	10K
5962-88634 02 XX	AT28HC256F-12DM/883	32K x 8 EEPROM Data Polling	Byte/ Page	120	3	10K
5962-88634 02 YX	AT28HC256F-12LM/883	32K x 8 EEPROM Data Polling	Byte/ Page	120	3	10K
5962-88634 02 ZX	AT28HC256F-12FM/883	32K x 8 EEPROM Data Polling	Byte/ Page	120	3	10K
5962-88634 03 UX	AT28HC256-90UM/883	32K x 8 EEPROM Data Polling	Byte/ Page	90	10	10K
5962-88634 03 XX	AT28HC256-90DM/883	32K x 8 EEPROM Data Polling	Byte/ Page	90	10	10K
5962-88634 03 YX	AT28HC256-90LM/883	32K x 8 EEPROM Data Polling	Byte/ Page	90	10	10K
5962-88634 03 ZX	AT28HC256-90FM/883	32K x 8 EEPROM Data Polling	Byte/ Page	90	10	10K
5962-88634 04 UX	AT28HC256F-90UM/883	32K x 8 EEPROM Data Polling	Byte/ Page	90	3	10K
5962-88634 04 XX	AT28HC256F-90DM/883	32K x 8 EEPROM Data Polling	Byte/ Page	90	3	10K
5962-88634 04 YX	AT28HC256F-90LM/883	32K x 8 EEPROM Data Polling	Byte/ Page	90	3	10K
5962-88634 04 ZX	AT28HC256F-90FM/883	32K x 8 EEPROM Data Polling	Byte/ Page	90	3	10K





Atmel Headquarters

Corporate Headquarters
2325 Orchard Parkway
San Jose, CA 95131
TEL (408) 441-0311
FAX (408) 487-2600

Europe

Atmel U.K., Ltd.
Coliseum Business Centre
Riverside Way
Camberley, Surrey GU15 3YL
England
TEL (44) 1276-686677
FAX (44) 1276-686697

Asia

Atmel Asia, Ltd.
Room 1219
Chinachem Golden Plaza
77 Mody Road
Tsimshatsui East
Kowloon, Hong Kong
TEL (852) 27219778
FAX (852) 27221369

Japan

Atmel Japan K.K.
Tonetsu Shinkawa Bldg., 9F
1-24-8 Shinkawa
Chuo-ku, Tokyo 104-0033
Japan
TEL (81) 3-3523-3551
FAX (81) 3-3523-7581

Atmel Operations

Atmel Colorado Springs
1150 E. Cheyenne Mtn. Blvd.
Colorado Springs, CO 80906
TEL (719) 576-3300
FAX (719) 540-1759

Atmel Rousset

Zone Industrielle
13106 Rousset Cedex, France
TEL (33) 4 42 53 60 00
FAX (33) 4 42 53 60 01

Fax-on-Demand

North America:
1-(800) 292-8635
International:
1-(408) 441-0732

e-mail

literature@atmel.com

Web Site

<http://www.atmel.com>

BBS

1-(408) 436-4309

© Atmel Corporation 1998.

Atmel Corporation makes no warranty for the use of its products, other than those expressly contained in the Company's standard warranty which is detailed in Atmel's Terms and Conditions located on the Company's website. The Company assumes no responsibility for any errors which may appear in this document, reserves the right to change devices or specifications detailed herein at any time without notice, and does not make any commitment to update the information contained herein. No licenses to patents or other intellectual property of Atmel are granted by the Company in connection with the sale of Atmel products, expressly or by implication. Atmel's products are not authorized for use as critical components in life support devices or systems.

Marks bearing ® and/or ™ are registered trademarks and trademarks of Atmel Corporation.

Terms and product names in this document may be trademarks of others.



Printed on recycled paper.

0553B-06/98/xM